



# DRIVING SUPPORT PERFECTVIEW

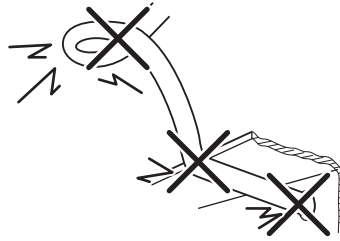


CAM35

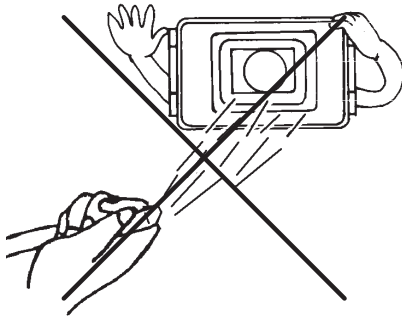
<b>EN</b>	<b>Rear View Video Camera</b> Installation and Operating Manual . . . . . 9	<b>FI</b>	<b>Peruutusvideokamera</b> Asennus- ja käyttöohje . . . . . 115
<b>DE</b>	<b>Rückfahrvideokamera</b> Montage- und Bedienungsanleitung . . . . 19	<b>RU</b>	<b>Видеокамера заднего вида</b> Инструкция по монтажу и эксплуатации . . . . . 125
<b>FR</b>	<b>Caméra vidéo de recul</b> Instructions de montage et de service . . . . . 30	<b>PL</b>	<b>Kamera cofania</b> Instrukcja montażu i obsługi. . . . . 136
<b>ES</b>	<b>Cámara de vídeo de marcha atrás</b> Instrucciones de montaje y de uso . . . . . 41	<b>SK</b>	<b>Cúvacia kamera</b> Návod na montáž a uvedenie do prevádzky. . . . . 147
<b>PT</b>	<b>Câmara de marcha-atrás</b> Instruções de montagem e manual de instruções . . . . . 52	<b>CS</b>	<b>Couvací kamera</b> Návod k montáži a obsluze . . . . . 158
<b>IT</b>	<b>Videocamera per la retromarcia</b> Istruzioni di montaggio e d'uso . . . . . 63	<b>HU</b>	<b>Tolatókamera</b> Szerelési és használati útmutató . . . . . 169
<b>NL</b>	<b>Achteruitrijvideocamera</b> Montagehandleiding en gebruiksaanwijzing . . . . . 74		
<b>DA</b>	<b>Bakvideokamera</b> Monterings- og betjeningsvejledning . . . . 85		
<b>SV</b>	<b>Backningsvideokamera</b> Monterings- och bruksanvisning . . . . . 95		
<b>NO</b>	<b>Ryggevideokamera</b> Monterings- og bruksanvisning . . . . . 105		

© 2021 Dometic Group. The visual appearance of the contents of this manual is protected by copyright and design law. The underlying technical design and the products contained herein may be protected by design, patent or be patent pending. The trademarks mentioned in this manual belong to Dometic Sweden AB. All rights are reserved.

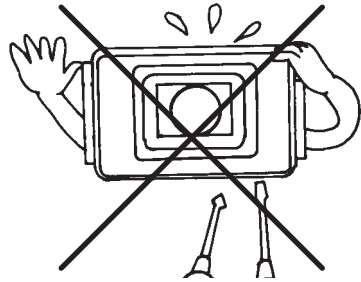
1



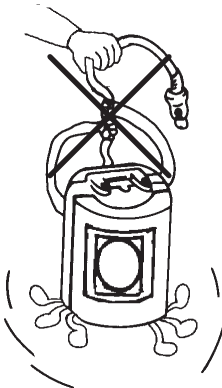
2



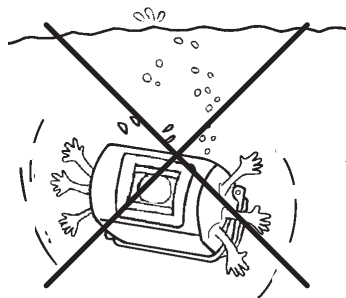
3

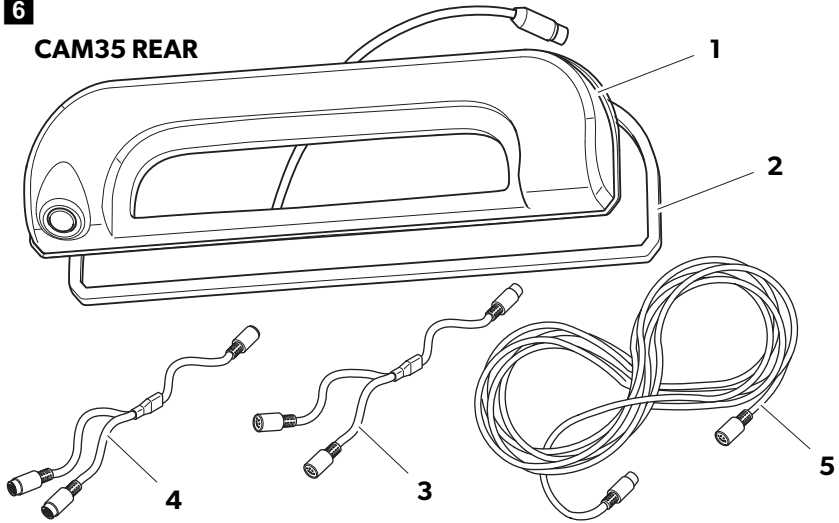
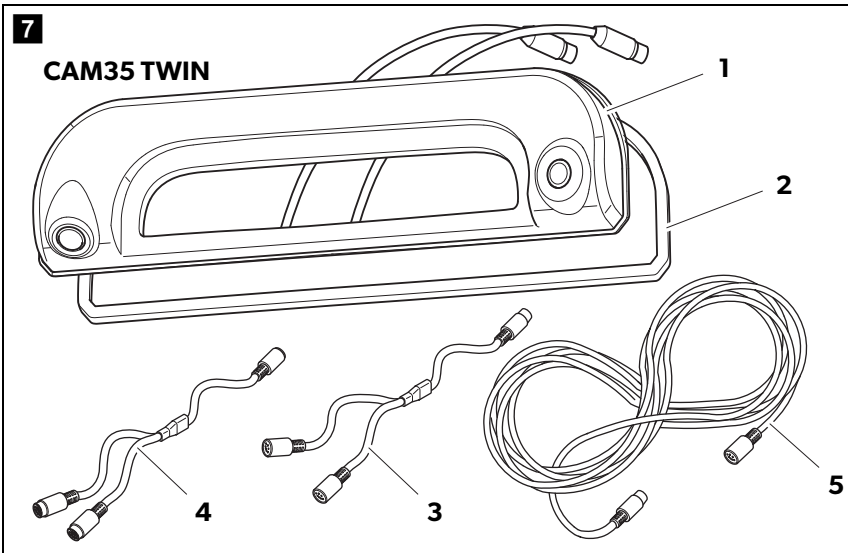


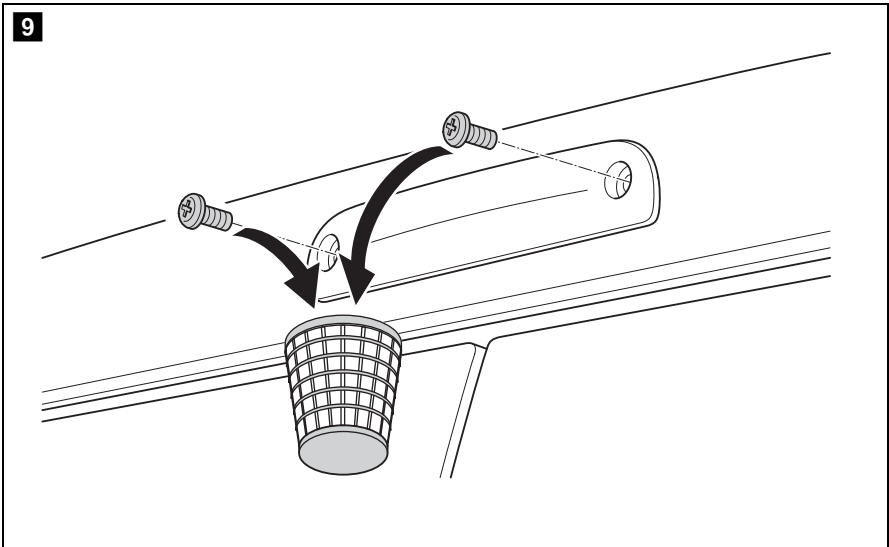
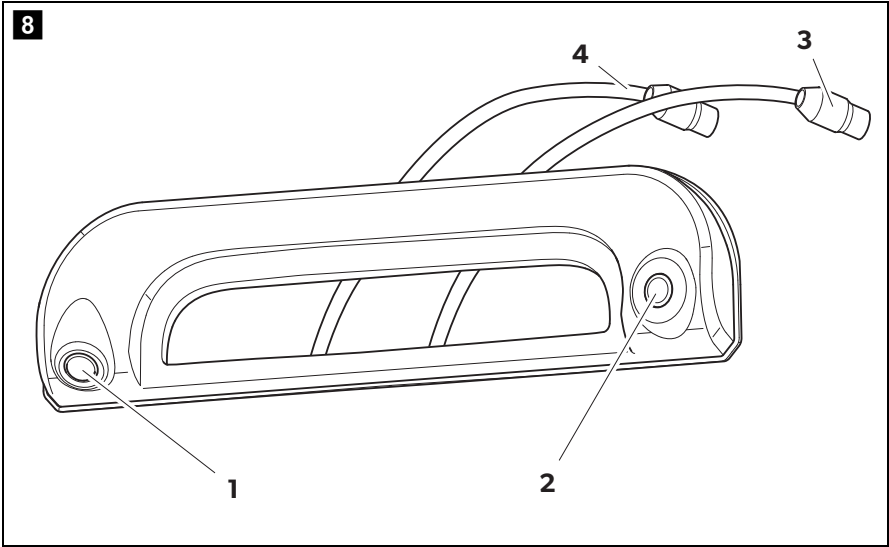
4

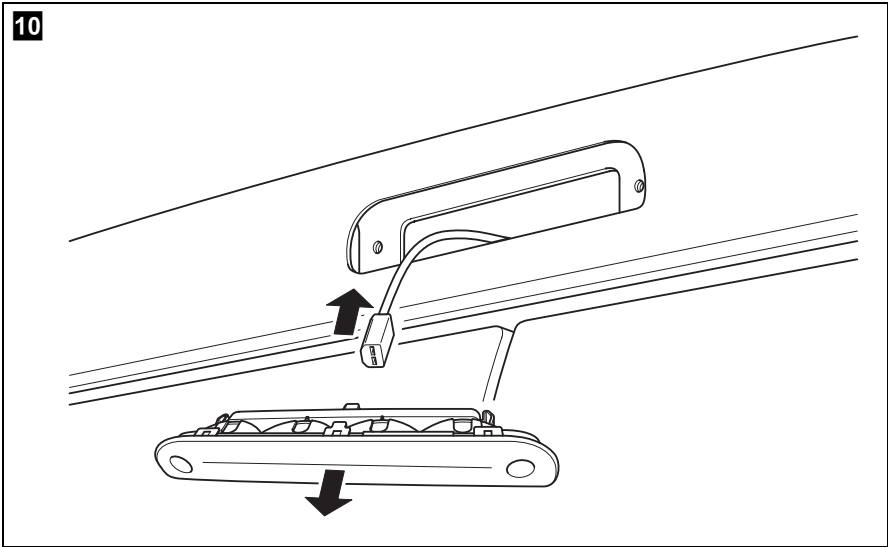
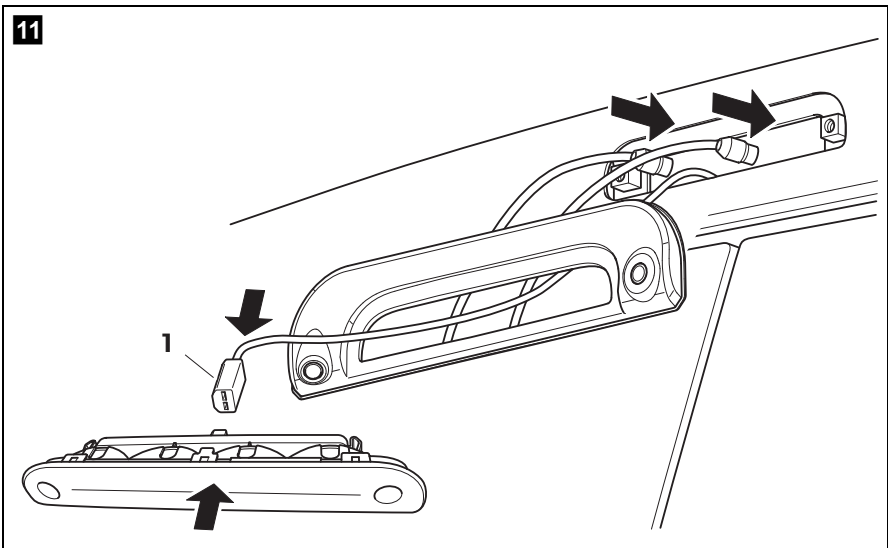


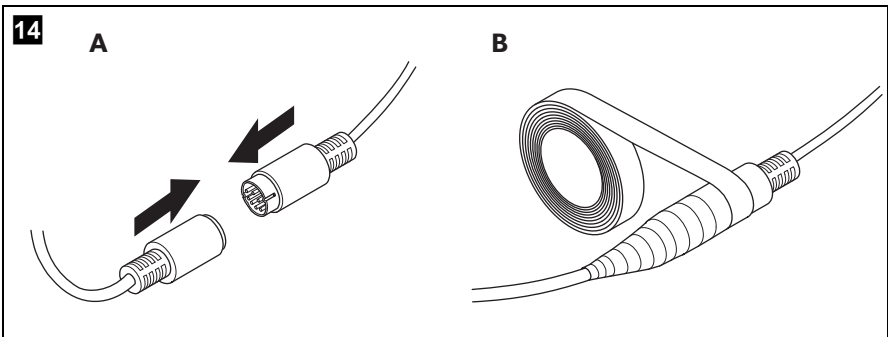
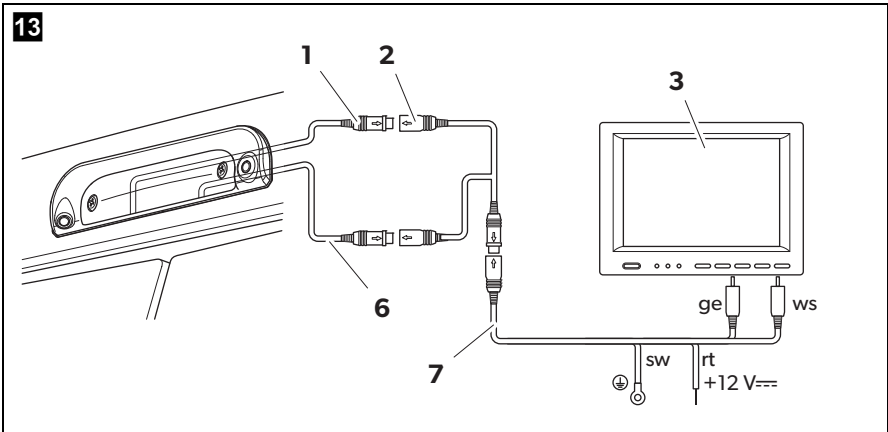
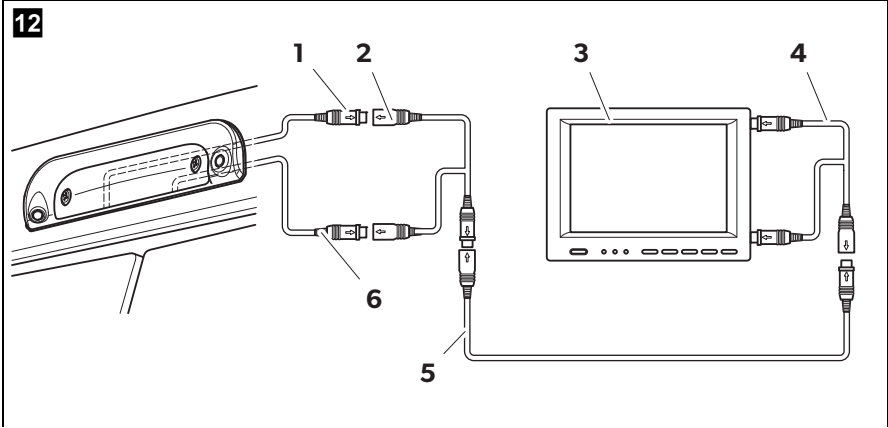
5

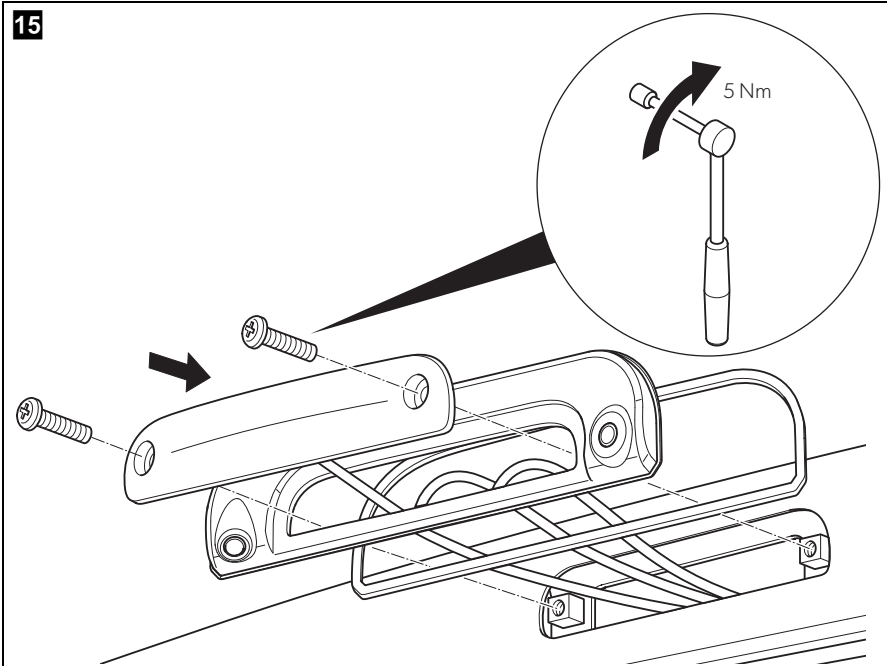


**6****CAM35 REAR****7****CAM35 TWIN**



**10****11**







Please read these instructions carefully and follow all instructions, guidelines, and warnings included in this product manual in order to ensure that you install, use, and maintain the product properly at all times. These instructions **MUST** stay with this product.

By using the product, you hereby confirm that you have read all instructions, guidelines, and warnings carefully and that you understand and agree to abide by the terms and conditions as set forth herein. You agree to use this product only for the intended purpose and application and in accordance with the instructions, guidelines, and warnings as set forth in this product manual as well as in accordance with all applicable laws and regulations. A failure to read and follow the instructions and warnings set forth herein may result in an injury to yourself and others, damage to your product or damage to other property in the vicinity. This product manual, including the instructions, guidelines, and warnings, and related documentation, may be subject to changes and updates. For up-to-date product information, please visit [dometic.com](http://dometic.com).

## Table of contents

1	Explanation of symbols . . . . .	9
2	Safety and installation instructions . . . . .	10
3	Scope of delivery . . . . .	12
4	Intended use . . . . .	13
5	Technical description . . . . .	13
6	Fitting the camera . . . . .	14
7	Cleaning and caring for the camera . . . . .	16
8	Warranty . . . . .	16
9	Disposal . . . . .	17
10	Technical data . . . . .	17

## 1 Explanation of symbols



### **WARNING!**

**Safety instruction:** Indicates a hazardous situation that, if not avoided, could result in death or serious injury.



### **NOTICE!**

Indicates a situation that, if not avoided, can result in property damage.



### **NOTE**

Supplementary information for operating the product.

## 2 Safety and installation instructions



### WARNING!

Danger of personal injury by vehicle.

Reversing video systems are designed merely as an additional aid for reversing, however this does **not** relieve you of the **duty to take proper care when reversing**.

**Please observe the prescribed safety instructions and stipulations from the vehicle manufacturer and service workshops.**

Please note the following:

- To prevent the risk of short circuits, always disconnect the negative terminal of the vehicle's electrical system before working on it.  
If the vehicle has an additional battery, its negative terminal should also be disconnected.
- Inadequate supply cable connections could result in short circuits, causing:
  - Cable fires
  - The airbag being triggered
  - Damage to electronic control equipment
  - Electrical malfunctions (indicators, brake light, horn, ignition, lights)
- When working on the following cables, only use insulated cable terminals, plugs and flat sockets:
  - 30 (direct supply from positive battery terminal)
  - 15 (connected positive terminal, behind the battery)
  - 31 (return cable from the battery, earth)
  - 58 (reversing light)

Do **not** use porcelain wire connectors.

- Use a crimping tool to connect the cables.
- Screw the cable when connecting cable 31 (earth)
  - Screw on the cable using a cable terminal and serrated washer to one of the vehicle's earth bolts or
  - Screw the cable to the bodywork using a cable terminal and a self-tapping screw

Make sure there is a good earth connection.

If you disconnect the negative terminal of the battery, all data stored in the volatile memories will be lost.

- The following data must be reset, depending on the vehicle equipment options:
  - Radio code
  - Vehicle clock
  - Timer
  - On-board computer
  - Seat position

You can find instructions for making these settings in the operating manual.

Observe the following installation instructions:

- Secure the parts of the camera which are installed in the vehicle in such a way that they cannot become loose under any circumstances (sudden braking, accidents) and cause **injuries to the occupants of the vehicle**.
- Secure any parts of the system concealed by the bodywork in such a manner that they cannot become loose or damage other parts or cables, or impair vehicle functions (steering, pedals, etc).
- To prevent damage when drilling, make sure there is sufficient space on the other side for the drill head to emerge.
- Deburr all drill holes and treat them with a rust-protection agent.
- Always follow the safety instructions of the vehicle manufacturer.  
Some work (e.g. on retention systems such as the AIRBAG etc.) may only be performed by qualified specialists.

Observe the following instructions when working with electrical parts:

- When testing the voltage in electrical cables, only use a diode test lamp or a voltmeter.  
Test lamps with a bulb consume too much voltage, which can damage the vehicle's electronic system.
- When making electrical connections, ensure that:
  - they are not kinked or twisted
  - they do not rub on edges
  - they are not laid in sharp-edged ducts without protection (fig. **1**, page 3).
- Insulate all connections.
- Secure the cables against mechanical wear by using cable binders or insulating tape, for example on existing cables.

The camera is watertight. However, the seals on the camera cannot withstand a high-pressure cleaner (fig. **2**, page 3). Therefore, you should observe the following instructions when handling the camera:

- People (including children) whose physical, sensory or mental capacities or whose lack of experience or knowledge prevent them from using this product safely should not use it without the supervision or instruction of a responsible person.
- Do not open the camera, as this impairs the leak tightness and the function of the camera (fig. **3**, page 3).
- Do not pull at the cables, as this impairs the tightness and the function of the camera (fig. **4**, page 3).
- The camera is not suitable for use under water (fig. **5**, page 3)!

### 3 Scope of delivery

No. in fig. <b>6</b> , page 4	Quantity	Description	Ref. no.
1	1	Camera CAM35 CAM35 REAR CAM35 REAR NAV CAM35 TWIN CAM35 TWIN NAV	 9102000134 9102000133 9102000132 9102000131
2	1	Seal	–
3	1	CAM35 Y adapter CAM	9600000552
4	1	CAM35 Y adapter MON	9600000553
5	1	System cable	9600000137
–	1	NAV adapter (only CAM35 REAR NAV or CAM35 TWIN NAV)	9600000554
–	2	Fastening bolts 6 x 25 mm	
–	–	Installation and operating manual	

## 4 Intended use

The double camera CAM35 is primarily intended for use in the vehicles Fiat Ducato, Citroën Jumper, Peugeot Boxer starting from model year 2006 with single roof. The camera console is mounted between the bodywork and the brake light. It can be used in video systems to observe the space around the vehicle from the driver's seat when manoeuvring or parking, for example.

This product is only suitable for the intended purpose and application in accordance with these instructions.

This manual provides information that is necessary for proper installation and/or operation of the product. Poor installation and/or improper operating or maintenance will result in unsatisfactory performance and a possible failure.

The manufacturer accepts no liability for any injury or damage to the product resulting from:

- Incorrect assembly or connection, including excess voltage
- Incorrect maintenance or use of spare parts other than original spare parts provided by the manufacturer
- Alterations to the product without express permission from the manufacturer
- Use for purposes other than those described in this manual

Dometic reserves the right to change product appearance and product specifications.

## 5 Technical description

The reversing camera and the long-distance camera (**only** CAM35 TWIN) are housed in one console for the original brake light. The camera image is transferred to a monitor via a system cable. The CAM35 is also suitable for connection to the original Fiat navigation system Uconnect, as the cameras provide an NTSC video signal.

The camera consists of the following elements:

No. in fig. 8, page 5	Description
1	Reversing camera
2	Long-distance camera ( <b>only</b> CAM35 TWIN)

No. in fig. <b>8</b> , page 5	Description
3	6-pin connection cable for long-distance camera ( <b>only</b> CAM35 TWIN)
4	6-pin connection cable for reversing camera

### Only for CAM35 TWIN

In the CAM35 TWIN, a monitor with two video inputs must be connected that can be switched between the image of the reversing and the long-distance cameras.

The long-distance camera transmits the image as if you were looking in the rear view mirror.

### Only for CAM35 NAV

The cameras CAM35REAR NAV and CAM35 TWIN NAV can be connected to monitors from other manufacturers. A universal adapter is included (CAM35 NAV adapter).

## 6 Fitting the camera

### 6.1 Dismantling the brake light

1. Remove the two screws of the brake light (fig. **9**, page 5).
2. Remove the plug of the brake light (fig. **10**, page 6).

### 6.2 Laying cables



#### **NOTICE! Beware of damage.**

- When drilling holes, check beforehand that there is sufficient space on the other side for the drill head to come out.
- Cables and connections that are not properly installed will cause malfunctions or damage to components. Correct installation of cables and connections ensures lasting and trouble-free operation of the retrofitted components.
- The cables may not be exposed for long periods to solvents such as benzene, since solvents can damage the cable.

Therefore, please observe the following instructions:

- As far as possible, use original ducts for laying the cables, or other suitable options such as panelling edges, ventilation grilles or dummy plugs. If no openings are available, you must drill holes for the cables. Check beforehand that there is sufficient space on the other side for the drill head to emerge.
  - Wherever possible, lay cables inside the vehicle, as they are better protected there than outside.  
If you do need to lay a cable outside the vehicle, ensure that it is well fastened (use additional cable ties, insulating tape etc.).
  - To prevent damage to the cables when laying them, ensure that they are far enough away from hot or moving vehicle components (exhaust pipes, drive shafts, light systems, fans, heaters, etc.). Use corrugated piping or other protective materials to protect against mechanical wear.
  - Screw on the plug connections for the connecting cables to protect them against water penetration (fig. **14**, page 7).
  - When laying the cables, make sure:
    - they are not kinked or twisted
    - they do not rub on edges
    - they are not laid in sharp-edged ducts without protection.
  - Attach the cables securely in the vehicles to prevent tripping hazards. This can be performed by using cable binders, insulating tape or gluing in place with adhesives.
- Lay the system cable.

### 6.3 Establishing the electrical connection for the camera



#### NOTE

- Lay the camera cable so that, should you need to remove the camera, you can access the plug connection between the camera and the extension cable easily. This greatly facilitates the disassembly.
- To minimise corrosion in the plug, apply a small amount of grease, such as pin grease, in one of the plugs.

1. Guide the connector of the brake light through the console.
2. Re-attach the plug (fig. **11** 1, page 6) of the brake light onto the brake light.
3. Connect the camera as shown in fig. **12**, page 7 to fig. **14**, page 7.  
Legend to fig. **12**, page 7 and fig. **13**, page 7:

No.	Description
1	6-pin connection cable for reversing camera
2	Y-adapter camera
3	Monitor
4	Y-adapter monitor
5	System cable
6	6-pin connection cable for long-distance camera ( <b>only</b> CAM35 TWIN)
7	NAV adapter ( <b>only</b> CAM35 NAV)
ws	white, video signal 1
ge	yellow, video signal 2
sw	black
rt	red

## 6.4 Fitting the camera



### NOTICE!

Make sure to guide the camera cables in the console bottom up to the notches so that the cables are not pinched.

Proceed as follows (fig. **15**, page 8):

- Secure the brake light and the console with two 6 x 25 mm fastening screws.

## 7 Cleaning and caring for the camera



### NOTICE! Beware of damage.

Do not use any sharp or hard objects for cleaning since they may damage the device.

- Clean the camera with a soft, damp cloth from time to time.

## 8 Warranty

The statutory warranty period applies. If the product is defective, please contact the manufacturer's branch in your country (see [dometic.com/dealer](http://dometic.com/dealer)) or your retailer.



For repair and warranty processing, please send the following items:

- Defect components
- A copy of the receipt with purchasing date
- A reason for the claim or description of the fault

## 9 Disposal

- Place the packaging material in the appropriate recycling waste bins, wherever possible.



If you wish to finally dispose of the product, ask your local recycling center or specialist dealer for details about how to do this in accordance with the applicable disposal regulations.

## 10 Technical data

	<b>PerfectView CAM 35 REAR</b>	<b>PerfectView CAM 35 REAR NAV</b>
Ref. no.:	9102000134	9102000133
Image sensor:	1/4" CMOS	
Pixels:	Approx. 345.000 pixels	
Video standard:	NTSC	
Sensitivity:	1.5 lux	
Viewing angle:	Approx. 150°/60° diagonal	
Operating voltage:	10 V $\overline{=}$ to 16 V $\overline{=}$	
Consumption:	1 W	
Operating temperature:	-30 °C to +70 °C	
Protection class:	IP69k	
Vibration resistance:	10g	
Dimensions W x H x D (with bracket):	80 x 30 x 33 mm	
Weight:	Approx. 0.25 kg	

	<b>PerfectView CAM 35 TWIN</b>	<b>PerfectView CAM 35 TWIN NAV</b>
Ref. no.:	9102000132	9102000131
Image sensor:	1/4" CMOS	
Pixels:	Approx. 345000 pixels	
Video standard:	NTSC	
Sensitivity:	1.5 lux	
Viewing angle:	Approx. 150°/60° diagonal	
Operating voltage:	10 V $\overline{=}$ to 16 V $\overline{=}$	
Consumption:	1 W	
Operating temperature:	-30 °C to +70 °C	
Protection class:	IP69k	
Vibration resistance:	10g	
Dimensions W x H x D (with bracket):	80 x 30 x 33 mm	
Weight:	Approx. 0.25 kg	

Lesen und befolgen Sie bitte alle Anweisungen, Richtlinien und Warnhinweise in diesem Produkthandbuch sorgfältig, um sicherzustellen, dass Sie das Produkt ordnungsgemäß installieren und stets ordnungsgemäß betreiben und warten. Diese Anleitung MUSS bei dem Produkt verbleiben.

Durch die Verwendung des Produktes bestätigen Sie hiermit, dass Sie alle Anweisungen, Richtlinien und Warnhinweise sorgfältig gelesen haben und dass Sie die hierin dargelegten Bestimmungen verstanden haben und ihnen zustimmen. Sie erklären sich damit einverstanden, dieses Produkt nur für den angegebenen Verwendungszweck und gemäß den Anweisungen, Richtlinien und Warnhinweisen dieses Produkthandbuchs sowie gemäß allen geltenden Gesetzen und Vorschriften zu verwenden. Eine Nichtbeachtung der hierin enthaltenen Anweisungen und Warnhinweise kann zu einer Verletzung Ihrer selbst und anderer Personen, zu Schäden an Ihrem Produkt oder zu Schäden an anderem Eigentum in der Umgebung führen. Dieses Produkthandbuch, einschließlich der Anweisungen, Richtlinien und Warnhinweise, sowie die zugehörige Dokumentation können Änderungen und Aktualisierungen unterliegen. Aktuelle Produktinformationen finden Sie unter [documents.dometic.com](http://documents.dometic.com), [dometic.com](http://dometic.com).

## Inhaltsverzeichnis

1	Erklärung der Symbole . . . . .	19
2	Sicherheits- und Einbauhinweise . . . . .	20
3	Lieferumfang . . . . .	22
4	Bestimmungsgemäßer Gebrauch . . . . .	23
5	Technische Beschreibung . . . . .	24
6	Kamera montieren . . . . .	24
7	Kamera pflegen und reinigen . . . . .	27
8	Gewährleistung . . . . .	27
9	Entsorgung . . . . .	27
10	Technische Daten . . . . .	28

## 1 Erklärung der Symbole



### **WARNUNG!**

**Sicherheitshinweis** auf eine Gefahrensituation, die zum Tod oder zu schwerer Verletzung führen kann, wenn sie nicht vermieden wird.



### **ACHTUNG!**

Hinweis auf eine Situation, die zu Sachschäden führen kann, wenn sie nicht vermieden wird.



### **HINWEIS**

Ergänzende Informationen zur Bedienung des Produktes.

## 2 Sicherheits- und Einbauhinweise



### WARNING!

Gefahr von Personenschäden durch das Fahrzeug.  
Rückfahrvideosysteme stellen eine Unterstützung beim Rückwärtsfahren dar, sie entbinden Sie jedoch **nicht** von **der besonderen Vorsichtspflicht beim Rückwärtsfahren**.

### Beachten Sie die vom Fahrzeughersteller und vom Kfz-Handwerk vorgeschriebenen Sicherheitshinweise und Auflagen!

Beachten Sie folgende Hinweise:

- Klemmen Sie wegen der Kurzschlussgefahr vor Arbeiten an der Fahrzeugelektrik immer den Minuspol ab.  
Bei Fahrzeugen mit Zusatzbatterie müssen Sie an dieser ebenfalls den Minuspol abklemmen.
- Unzureichende Leitungsverbindungen können zur Folge haben, dass durch Kurzschluss
  - Kabelbrände entstehen,
  - der Airbag ausgelöst wird,
  - elektronische Steuerungseinrichtungen beschädigt werden,
  - elektrische Funktionen ausfallen (Blinker, Bremslicht, Hupe, Zündung, Licht).
- Verwenden Sie bei Arbeiten an den folgenden Leitungen nur isolierte Kabelschuhe, Stecker und Flachsteckhülsen:
  - 30 (Eingang von Batterie Plus direkt),
  - 15 (Geschaltetes Plus, hinter Batterie),
  - 31 (Rückleitung ab Batterie, Masse),
  - 58 (Rückfahrcheinwerfer).

Verwenden Sie **keine** Lüsterklemmen.

- Verwenden Sie eine Krimpzange zum Verbinden der Kabel.
- Schrauben Sie das Kabel bei Anschlüssen an Leitung 31 (Masse)
  - mit Kabelschuh und Zahnscheibe an eine fahrzeugeigene Masseschraube oder
  - mit Kabelschuh und Blechschraube an das Karosserieblech.

Achten Sie auf eine gute Masseübertragung!

Beim Abklemmen des Minuspols der Batterie verlieren alle flüchtigen Speicher der Komfortelektronik ihre gespeicherten Daten.

- Folgende Daten müssen Sie je nach Fahrzeugausstattung neu einstellen:
  - Radiocode
  - Fahrzeuguhr
  - Zeitschaltuhr
  - Bordcomputer
  - Sitzposition

Hinweise zur Einstellung finden Sie in der jeweiligen Bedienungsanleitung.

Beachten Sie folgende Hinweise bei der Montage:

- Befestigen Sie die im Fahrzeug montierten Teile der Kamera so, dass sie sich unter keinen Umständen (scharfes Abbremsen, Verkehrsunfall) lösen und zu **Verletzungen der Fahrzeuginsassen** führen können.
- Befestigen Sie verdeckt unter Verkleidungen anzubringende Teile des Systems so, dass sie sich nicht lösen oder andere Teile und Leitungen beschädigen und keine Fahrzeugfunktionen (Lenkung, Pedale usw.) beeinträchtigen können.
- Achten Sie beim Bohren auf ausreichenden Freiraum für den Bohreraustritt, um Schäden zu vermeiden.
- Entgraten Sie jede Bohrung und behandeln Sie diese mit Rostschutzmittel.
- Beachten Sie immer die Sicherheitshinweise des Fahrzeugherstellers. Einige Arbeiten (z. B. an Rückhaltesystemen wie AIRBAG usw.) dürfen nur von geschultem Fachpersonal durchgeführt werden.

Beachten Sie folgende Hinweise bei der Arbeit an elektrischen Teilen:

- Benutzen Sie zum Prüfen der Spannung in elektrischen Leitungen nur eine Diodenprüflampe oder ein Voltmeter.  
Prüflampen mit einem Leuchtkörper nehmen zu hohe Ströme auf, wodurch die Fahrzeugelektronik beschädigt werden kann.
- Beachten Sie beim Verlegen der elektrischen Anschlüsse, dass diese
  - nicht geknickt oder verdreht werden,
  - nicht an Kanten scheuern,
  - nicht ohne Schutz durch scharfkantige Durchführungen verlegt werden (Abb. **1**, Seite 3).
- Isolieren Sie alle Verbindungen und Anschlüsse.
- Sichern Sie die Kabel gegen mechanische Beanspruchung durch Kabelbinder oder Isolierband, z. B. an vorhandenen Leitungen.

Die Kamera ist wasserdicht. Die Dichtungen der Kamera halten aber nicht einem Hochdruckreiniger stand (Abb. **2**, Seite 3). Beachten Sie deshalb folgende Hinweise zum Umgang mit der Kamera:

- Personen (einschließlich Kinder), die aufgrund ihrer physischen, sensorischen oder geistigen Fähigkeiten oder ihrer Unerfahrenheit oder Unkenntnis nicht in der Lage sind, das Produkt sicher zu benutzen, sollten dieses Produkt nicht ohne Aufsicht oder Anweisung durch eine verantwortliche Person nutzen.
- Öffnen Sie die Kamera nicht, da dieses ihre Dichtigkeit und die Funktionsfähigkeit beeinträchtigt (Abb. **3**, Seite 3).
- Ziehen Sie nicht an den Kabeln, da dieses die Dichtigkeit und die Funktionsfähigkeit der Kamera beeinträchtigt (Abb. **4**, Seite 3).
- Die Kamera ist nicht für den Betrieb unter Wasser geeignet (Abb. **5**, Seite 3).

### 3 Lieferumfang

Nr. in Abb. <b>6</b> , Seite 4	Menge	Bezeichnung	Artikel-Nr.
1	1	Kamera CAM35 CAM35 REAR CAM35 REAR NAV CAM35 TWIN CAM35 TWIN NAV	9102000134 9102000133 9102000132 9102000131
2	1	Dichtung	–
3	1	CAM35 Y-Adapter CAM	9600000552
4	1	CAM35 Y-Adapter MON	9600000553
5	1	Systemkabel	9600000137
–	1	NAV-Adapter (nur CAM35 REAR NAV oder CAM35 TWIN NAV)	9600000554
–	2	Befestigungsschrauben 6 x 25 mm	
–	–	Montage- und Bedienungsanleitung	

## 4 Bestimmungsgemäßer Gebrauch

Die Doppelkamera CAM35 ist vorrangig für den Einsatz in den Fahrzeugen Fiat Ducato, Citroën Jumper, Peugeot Boxer ab Modelljahr 2006 mit Einfachdach gedacht. Die Kamerakonsole wird zwischen Karosserie und Bremsleuchte montiert. Sie sind einsetzbar in Videosystemen, die zur Beobachtung des Bereiches um das Fahrzeug vom Fahrersitz aus dienen, z. B. beim Rangieren oder Einparken.

Dieses Produkt ist nur für den angegebenen Verwendungszweck und die Anwendung gemäß dieser Anleitung geeignet.

Dieses Handbuch enthält Informationen, die für die ordnungsgemäße Installation und den ordnungsgemäßen Betrieb des Produkts erforderlich sind. Installationsfehler und/oder ein nicht ordnungsgemäßer Betrieb oder nicht ordnungsgemäße Wartung haben eine unzureichende Leistung und u. U. einen Ausfall des Geräts zur Folge.

Der Hersteller übernimmt keine Haftung für Verletzungen oder Schäden am Produkt, die durch Folgendes entstehen:

- Unsachgemäße Montage oder falscher Anschluss, einschließlich Überspannung
- Unsachgemäße Wartung oder Verwendung von anderen als den vom Hersteller gelieferten Original-Ersatzteilen
- Veränderungen am Produkt ohne ausdrückliche Genehmigung des Herstellers
- Verwendung für andere als die in der Anleitung beschriebenen Zwecke

Dometic behält sich das Recht vor, das Erscheinungsbild des Produkts und dessen technische Daten zu ändern.

## 5 Technische Beschreibung

Die Rückfahrkamera und die Fernsichtkamera (**nur** CAM35 TWIN) sind in einer Konsole für die original Bremsleuchte untergebracht. Das Kamerabild wird über ein Systemkabel übertragen zu einem Monitor. Die CAM35 eignet sich auch zum Anschluss an das original Fiat Navigationssystem Uconnect, da die Kameras ein NTSC-Videosignal zur Verfügung stellen.

Die Kamera besteht aus u. a. folgenden Elementen:

Nr. in Abb. <b>8</b> , Seite 5	Bezeichnung
1	Rückfahrkamera
2	Fernsichtkamera ( <b>nur</b> CAM35 TWIN)
3	6-poliges Anschlusskabel für Fernsichtkamera ( <b>nur</b> CAM35 TWIN)
4	6-poliges Anschlusskabel für Rückfahrkamera

### Nur für CAM35 TWIN

Bei der CAM35 TWIN muss ein Monitor mit zwei Videoeingängen angeschlossen werden, der sich zwischen dem Bild der Rückfahr- und der Fernsichtkamera umschalten lässt.

Die Fernsichtkamera übermittelt das Bild, als ob Sie in den Rückspiegel blicken.

### Nur für CAM35 NAV

Die Kameras CAM35REAR NAV und CAM35 TWIN NAV können an Monitore anderer Hersteller angeschlossen werden. Es liegt ein Universaladapter (CAM35 NAV-Adapter) bei.

## 6 Kamera montieren

### 6.1 Bremsleuchte demontieren

1. Lösen Sie die zwei Schrauben der Bremsleuchte (Abb. **9**, Seite 5).
2. Ziehen Sie den Stecker der Bremsleuchte ab (Abb. **10**, Seite 6).



## 6.2 Kabel verlegen



### **ACHTUNG! Beschädigungsgefahr!**

- Wenn Sie Löcher bohren, prüfen Sie vorher, ob ausreichender Freiraum für den Bohreraustritt vorhanden ist.
- Nicht fachgerechte Kabelverlegungen und Kabelverbindungen führen immer wieder zu Fehlfunktionen oder Beschädigungen von Bauteilen. Eine korrekte Kabelverlegung bzw. Kabelverbindung ist die Grundvoraussetzung für eine dauerhafte und fehlerfreie Funktion der nachgerüsteten Komponenten.
- Die Kabel dürfen nicht über längere Zeit mit Lösungsmitteln wie z. B. Benzin in Berührung kommen, da Lösungsmittel die Kabel beschädigen würden.

Beachten Sie deshalb folgende Hinweise:

- Verwenden Sie für die Durchführung der Anschlusskabel nach Möglichkeit Originaldurchführungen oder andere Durchführungsmöglichkeiten, z. B. Verkleidungskanten, Lüftungsgitter oder Blindschalter. Wenn keine Durchführungen vorhanden sind, müssen Sie für die jeweiligen Kabel entsprechende Löcher bohren. Schauen Sie vorher nach, ob ausreichender Freiraum für den Bohreraustritt vorhanden ist.
  - Verlegen Sie die Kabel nach Möglichkeit immer im Fahrzeuginneren, denn dort sind sie besser geschützt als außen am Fahrzeug. Wenn Sie die Kabel trotzdem außerhalb des Fahrzeuges verlegen, achten Sie auf eine sichere Befestigung (durch zusätzliche Kabelbinder, Isolierband usw.).
  - Um Beschädigungen am Kabel zu vermeiden, halten Sie beim Verlegen der Kabel immer ausreichend Abstand zu heißen und sich bewegenden Fahrzeugteilen (Auspuffrohre, Antriebswellen, Lichtmaschine, Lüfter, Heizung usw.). Verwenden Sie zum mechanischen Schutz Wellrohr oder ähnliche Schutzmaterialien.
  - Verschrauben Sie die Steckverbindungen der Verbindungskabel zum Schutz gegen das Eindringen von Wasser (Abb. **14**, Seite 7).
  - Beachten Sie beim Verlegen der Kabel, dass diese
    - nicht stark geknickt oder verdreht werden,
    - nicht an Kanten scheuern,
    - nicht ohne Schutz durch scharfkantige Durchführungen verlegt werden.
  - Befestigen Sie die Kabel sicher im Fahrzeug, um ein Verfangen (Sturzgefahr) zu vermeiden. Dieses kann erfolgen durch den Einsatz von Kabelbindern, Isolierband oder durch Ankleben mit Klebstoff.
- Verlegen Sie das Systemkabel.

## 6.3 Kamera elektrisch anschließen



### HINWEIS

- Verlegen Sie das Kamerakabel so, dass Sie bei einem eventuell notwendigen Ausbau der Kamera leicht an die Steckerverbindung zwischen Kamera und Verlängerungskabel kommen. Die Demontage wird dadurch erheblich vereinfacht.
- Um Korrosion im Stecker zu minimieren, geben Sie etwas Fett, z. B. Polfett, in einen der Stecker.

1. Führen Sie den Stecker der Bremsleuchte durch die Konsole.
2. Stecken Sie den Stecker (Abb. **11** 1, Seite 6) der Bremsleuchte wieder an die Bremsleuchte.
3. Schließen Sie die Kamera an, wie in Abb. **12**, Seite 7 bis Abb. **14**, Seite 7 gezeigt.

Legende zu Abb. **12**, Seite 7 und Abb. **13**, Seite 7:

Nr.	Bezeichnung
1	6-poliges Anschlusskabel für Rückfahrkamera
2	Y-Adapter Kamera
3	Monitor
4	Y-Adapter Monitor
5	Systemkabel
6	6-poliges Anschlusskabel für Fernsichtkamera ( <b>nur</b> CAM35 TWIN)
7	NAV-Adapter ( <b>nur</b> CAM35 NAV)
ws	weiß, Videosignal 1
ge	gelb, Videosignal 2
sw	schwarz
rt	rot

## 6.4 Kamera montieren



### ACHTUNG!

Achten Sie darauf, die Kamerakabel in der Konsolenunterseite bis zu den Ausklinkungen zu führen, damit die Kabel nicht gequetscht werden.

Gehen Sie wie folgt vor (Abb. **15**, Seite 8):

- ▶ Befestigen Sie die Bremsleuchte und die Konsole mit den zwei Befestigungsschrauben 6 x 25 mm.

## 7 Kamera pflegen und reinigen



### **ACHTUNG! Beschädigungsgefahr!**

Keine scharfen oder harten Mittel zur Reinigung verwenden, da dies zu einer Beschädigung des Geräts führen kann.

- ▶ Reinigen Sie die Kamera gelegentlich mit einem weichen, feuchten Tuch.

## 8 Gewährleistung

Es gilt die gesetzliche Gewährleistungsfrist. Sollte das Produkt defekt sein, wenden Sie sich bitte an die Niederlassung des Herstellers in Ihrem Land (siehe [dometic.com/dealer](http://dometic.com/dealer)) oder an Ihren Fachhändler.

Zur Reparatur- bzw. Gewährleistungsbearbeitung müssen Sie Folgendes einschicken:

- defekte Komponenten,
- eine Kopie der Rechnung mit Kaufdatum,
- einen Reklamationsgrund oder eine Fehlerbeschreibung.

## 9 Entsorgung

- ▶ Geben Sie das Verpackungsmaterial möglichst in den entsprechenden Recycling-Müll.



Wenn Sie das Produkt endgültig außer Betrieb nehmen, informieren Sie sich bitte beim nächsten Recyclingcenter oder bei Ihrem Fachhändler über die zutreffenden Entsorgungsvorschriften.

## 10 Technische Daten

	<b>PerfectView CAM 35 REAR</b>	<b>PerfectView CAM 35 REAR NAV</b>
Art.-Nr.:	9102000134	9102000133
Bildsensor:	1/4" CMOS	
Bildpunkte:	ca. 345.000 Pixel	
Videostandard:	NTSC	
Empfindlichkeit:	1,5 Lux	
Blickwinkel:	ca. 150°/60° diagonal	
Betriebsspannung:	10 V $\overline{=}$ bis 16 V $\overline{=}$	
Verbrauch:	1 W	
Betriebstemperatur:	-30 °C bis +70 °C	
Schutzklasse:	IP69k	
Vibrationsfestigkeit:	10g	
Abmessungen B x H x T (mit Halter):	80 x 30 x 33 mm	
Gewicht:	ca. 0,25 kg	

	<b>PerfectView CAM 35 TWIN</b>	<b>PerfectView CAM 35 TWIN NAV</b>
Art.-Nr.:	9102000132	9102000131
Bildsensor:	1/4" CMOS	
Bildpunkte:	ca. 345.000 Pixel	
Videostandard:	NTSC	
Empfindlichkeit:	1,5 Lux	
Blickwinkel:	ca. 150°/60° diagonal	
Betriebsspannung:	10 V $\overline{=}$ bis 16 V $\overline{=}$	
Verbrauch:	1 W	
Betriebstemperatur:	-30 °C bis +70 °C	
Schutzklasse:	IP69k	
Vibrationsfestigkeit:	10g	
Abmessungen B x H x T (mit Halter):	80 x 30 x 33 mm	
Gewicht:	ca. 0,25 kg	

Veillez lire et suivre attentivement l'ensemble des instructions, directives et avertissements figurant dans ce manuel afin de vous assurer que vous installez, utilisez et entretenez le produit correctement à tout moment. Ces instructions DOIVENT rester avec ce produit.

En utilisant le produit, vous confirmez par la présente que vous avez lu attentivement l'ensemble des instructions, directives et avertissements et que vous comprenez et acceptez de respecter les modalités et conditions énoncées dans le présent document. Vous acceptez d'utiliser ce produit uniquement pour l'usage et l'application prévus et conformément aux instructions, directives et avertissements figurant dans le manuel du produit, ainsi qu'à toutes les lois et réglementations applicables. Si vous ne lisez et ne respectez pas les instructions et les avertissements figurant dans ce manuel, vous risquez de vous blesser ou de blesser d'autres personnes, d'endommager votre produit ou d'endommager d'autres biens à proximité. Le présent manuel produit, y compris les instructions, directives et avertissements, ainsi que la documentation associée peuvent faire l'objet de modifications et de mises à jour. Pour obtenir des informations actualisées sur le produit, rendez-vous sur [documents.dometic.com](http://documents.dometic.com), [dometic.com](http://dometic.com).

## Sommaire

1	Signification des symboles . . . . .	30
2	Consignes de sécurité et instructions de montage . . . . .	31
3	Contenu de la livraison . . . . .	33
4	Usage conforme . . . . .	34
5	Description technique . . . . .	35
6	Montage de la caméra . . . . .	36
7	Entretien et nettoyage de la caméra . . . . .	38
8	Garantie . . . . .	38
9	Retraitement . . . . .	39
10	Caractéristiques techniques . . . . .	39

## 1 Signification des symboles



### AVERTISSEMENT !

**Consigne de sécurité** signalant une situation dangereuse qui peut entraîner la mort ou de graves blessures si elle n'est pas évitée.



### AVIS !

Remarque signalant une situation qui peut entraîner des dommages matériels si elle n'est pas évitée.



### REMARQUE

Informations complémentaires sur l'utilisation du produit.

## 2 Consignes de sécurité et instructions de montage



### AVERTISSEMENT !

Risque de dommages corporels causés par le véhicule.

Les systèmes vidéo de recul vous apportent une aide supplémentaire en marche arrière, mais ces appareils **ne** vous dégagent **pas du devoir de prudence qui vous incombe lorsque vous conduisez en marche arrière.**

### Respectez les consignes de sécurité et autres prescriptions imposées par le constructeur du véhicule et par les professionnels de l'automobile !

Tenez compte des remarques suivantes :

- Débranchez toujours la borne négative avant de procéder à des travaux sur les éléments électriques du véhicule afin d'éviter tout risque de court-circuit. Sur les véhicules équipés d'une batterie supplémentaire, vous devez également débrancher le pôle négatif de cette dernière.
- Tout raccordement de câbles inadéquat peut provoquer en raison d'un court-circuit
  - des incendies de câbles,
  - le déclenchement de l'airbag,
  - l'endommagement de dispositifs électroniques de commande,
  - la défaillance de fonctions électriques (clignotants, feux stop, klaxon, système d'allumage, éclairage).
- Pour tous les travaux sur les lignes électriques suivantes, n'utilisez que des cosses de câble, fiches et alvéoles pour contacts plats isolés :
  - 30 (entrée directe du pôle positif de la batterie),
  - 15 (pôle positif commuté, derrière la batterie),
  - 31 (câble de retour à partir de la batterie, masse),
  - 58 (feu de recul).

N'utilisez **pas** de serre-fils.

- Utilisez une pince à sertir pour relier les câbles.
- Pour les raccordements au câble 31 (masse), vissez le câble
  - à une vis de masse du véhicule, avec une cosse et une rondelle crantée, ou
  - à la tôle de carrosserie, avec une cosse et une vis à tôle.

Veillez à ce qu'un bon transfert de masse soit assuré !

Lorsque vous débranchez le pôle négatif de la batterie, les mémoires volatiles de l'électronique de confort perdent toutes les données enregistrées.

- Selon l'équipement du véhicule, vous devez régler à nouveau les données suivantes :
  - Code de l'autoradio
  - Pendule du véhicule
  - Minuterie
  - Ordinateur de bord
  - Position des sièges

Les consignes de réglage se trouvent dans le manuel d'utilisation correspondant.

Veillez respecter les consignes suivantes lors du montage :

- Fixez les pièces de la caméra installées dans le véhicule de manière à ce qu'elles ne puissent en aucun cas se desserrer (freinage abrupt, accident) et risquer de causer des **blessures aux occupants du** véhicule.
- Fixez les pièces du système sous l'habillage de telle sorte qu'elles ne puissent pas se détacher, endommager d'autres pièces ou connexions, ni gêner le fonctionnement du véhicule (direction, pédales, etc.).
- Avant de percer des trous, assurez-vous que vous disposez d'un espace suffisant de l'autre côté du trou à percer afin que la mèche n'occasionne aucun dégât.
- Ébavurez tous les trous et protégez-les avec un enduit anticorrosif.
- Respectez toujours les consignes de sécurité du fabricant du véhicule. Certains travaux (p. ex. au niveau des systèmes de rétention, AIRBAG, etc.) doivent être effectués uniquement par un personnel spécialisé ayant reçu une formation correspondante.

Veillez respecter les consignes suivantes lors de travaux sur des composants électriques :

- Pour contrôler la tension dans les câbles électriques, utilisez uniquement une lampe-témoin à diodes ou un voltmètre.  
Les lampes étalons à corps lumineux absorbent des courants trop élevés qui pourraient endommager les systèmes électroniques du véhicule.
- Lors de l'agencement des raccords électriques, veillez à ce que ceux-ci
  - ne soient ni pliés, ni tordus,
  - ne frottent pas contre des arêtes,
  - ne soient pas placés dans des traversées à arêtes vives sans protection (fig. **1**, page 3).
- Isolez toutes les connexions et tous les raccords.



- Protégez les câbles contre toute contrainte mécanique en les fixant par exemple aux lignes existantes à l'aide de serre-câbles ou de ruban vinyle.

La caméra est étanche. Les joints de la caméra ne résistent cependant pas à un nettoyeur à haute pression (fig. **2**, page 3). Veuillez donc à respecter les consignes suivantes en manipulant la caméra :

- Les personnes (y compris les enfants) qui ne sont pas en mesure d'utiliser l'appareil en toute sécurité – que ce soit en raison de déficiences physiques, sensorielles ou mentales ou bien par manque d'expérience ou de connaissances – ne sont pas autorisées à le faire, sauf si une personne garante de leur sécurité les surveille ou leur fournit des explications sur son utilisation.
- N'ouvrez jamais la caméra afin de ne pas compromettre son étanchéité ni son fonctionnement (fig. **3**, page 3).
- Ne tirez jamais sur les câbles, car ceci nuit à l'étanchéité et au fonctionnement de la caméra (fig. **4**, page 3).
- La caméra n'est pas prévue pour être utilisée dans l'eau (fig. **5**, page 3).

### 3 Contenu de la livraison

N° dans fig. <b>6</b> , page 4	Quantité	Désignation	Référence
1	1	Caméra CAM35	
		CAM35 REAR	9102000134
		CAM35 REAR NAV	9102000133
		CAM35 TWIN	9102000132
		CAM35 TWIN NAV	9102000131
2	1	Joint	–
3	1	CAM35 adaptateur Y CAM	9600000552
4	1	CAM35 adaptateur Y MON	9600000553
5	1	Câble système	9600000137
–	1	Adaptateur NAV (uniquement CAM35 REAR NAV ou CAM35 TWIN NAV)	9600000554
–	2	Vis de fixation 6 x 25 mm	
–	–	Notice de montage et d'utilisation	

## 4 Usage conforme

La caméra double CAM35 est de préférence prévue pour l'usage dans les véhicules Fiat Ducato, Citroën Jumper et Peugeot Boxer à partir du modèle de l'année 2006 avec toit simple. La console de la caméra est montée entre la carrosserie et le feu de stop. Elle peut être utilisée sur les systèmes vidéo qui permettent d'observer, depuis le siège du conducteur, la zone située autour du véhicule, p. ex. pour manœuvrer ou pour se garer.

Ce produit convient uniquement à l'usage et à l'application prévus, conformément au présent manuel d'instructions.

Ce manuel fournit les informations nécessaires à l'installation et/ou à l'utilisation correcte du produit. Une installation, une utilisation ou un entretien inappropriés entraînera des performances insatisfaisantes et une éventuelle défaillance.

Le fabricant décline toute responsabilité en cas de blessure ou de dommage résultant :

- d'un montage ou d'un raccordement incorrect, y compris d'une surtension
- d'un entretien inadapté ou de l'utilisation de pièces de rechange autres que les pièces de rechange d'origine fournies par le fabricant
- des modifications apportées au produit sans autorisation explicite du fabricant ;
- des usages différents de ceux décrits dans le manuel.

Dometic se réserve le droit de modifier l'apparence et les spécifications produit.

## 5 Description technique

La caméra de recul et la caméra panoramique (**uniquement** CAM35 TWIN) sont installées dans une console originellement prévue pour le feu de stop. L'image de caméra est transmise à l'écran par un câble système. Le modèle CAM35 peut également être raccordé au système original de navigation Fiat Uconnect puisque les caméras fournissent un signal vidéo NTSC.

La caméra se compose entre autres des éléments suivants :

N° dans fig. 8, page 5	Désignation
1	Caméra de recul
2	Caméra panoramique ( <b>uniquement</b> CAM35 TWIN)
3	Câble de raccordement à 6 pôles pour caméra panoramique ( <b>uniquement</b> CAM35 TWIN)
4	Câble de raccordement à 6 pôles pour caméra de recul

### Uniquement pour CAM35 TWIN

Dans le cas du modèle CAM35 TWIN, un écran à deux entrées vidéo doit être raccordé, permettant de commuter entre l'image de la caméra de recul et celle de la caméra panoramique.

La caméra panoramique transmet une image semblable à celle que vous voyez dans un rétroviseur.

### Uniquement pour CAM35 NAV

Les caméras CAM35 REAR NAV et CAM35 TWIN NAV peuvent être raccordées à des écrans d'autres fabricants. Un adaptateur universel (CAM35 adaptateur NAV) est compris dans la livraison.

## 6 Montage de la caméra

### 6.1 Démontage du feu de stop

1. Desserrez les deux vis du feu de stop (fig. **9**, page 5).
2. Débranchez le connecteur du feu de stop (fig. **10**, page 6).

### 6.2 Pose des câbles



#### **AVIS ! Risque d'endommagement !**

- Avant de percer des trous, vérifiez qu'il y a un espace suffisant de l'autre côté du trou pour le passage de la mèche.
- Toute erreur de pose ou de branchement des câbles entraîne presque toujours des dysfonctionnements ou des détériorations des composants. Une pose et un branchement corrects des câbles sont indispensables au fonctionnement durable et fiable des composants que vous installez.
- Veillez à ce que les câbles ne soient pas en contact avec des solvants tels que l'essence pendant une durée prolongée. Ces solvants endommageraient les câbles.

Veillez respecter les consignes suivantes :

- Pour la pose des câbles de raccordement, utilisez si possible des passages existants ou d'autres possibilités de passage telles que les arêtes de garnitures, grilles d'aération ou interrupteurs intégrés. Si aucun passage n'est disponible, vous devrez percer des trous pour y faire passer les câbles. Vérifiez avant le perçage qu'il y a un espace suffisant pour la sortie de la mèche de l'autre côté du trou.
- Dans la mesure du possible, ne posez les câbles qu'à l'intérieur du véhicule. Ils y seront mieux protégés qu'à l'extérieur. Si vous devez malgré tout faire passer les câbles à l'extérieur du véhicule, veillez à ce qu'ils soient solidement fixés (en utilisant des serre-fils supplémentaires, du ruban vinyle, etc.).
- Installez les câbles à une distance suffisante des éléments chauds et/ou mobiles du véhicule (tuyaux d'échappement, arbres de transmission, dynamo, ventilateurs, chauffage, etc.) qui pourraient les endommager. Pour assurer la protection mécanique des câbles, veillez utiliser des tubes ondulés ou autres matériaux de protection.
- Vissez les raccords enfichables des câbles de raccordement afin de les protéger contre les infiltrations d'eau (fig. **14**, page 7).

- Lors de la pose des câbles, veillez à ce que ceux-ci
    - ne soient ni fortement pliés, ni tordus,
    - ne frottent pas contre des arêtes,
    - ne soient pas placés dans des traversées à arêtes vives sans protection.
  - Fixez soigneusement les câbles à l'intérieur du véhicule pour éviter que quelqu'un puisse trébucher dessus (risque de chute). Pour cela, utilisez des serre-câbles, du ruban isolant ou fixez les câbles avec de la colle.
- Posez le câble système.

### 6.3 Raccordement électrique de la caméra



#### REMARQUE

- Posez le câble de la caméra de telle manière que la connexion reliant la caméra au câble de rallonge soit facilement accessible au cas où un démontage de la caméra serait nécessaire. Cette précaution simplifie énormément le démontage.
- Pour minimiser le risque de corrosion de la connexion, lubrifiez légèrement l'un des connecteurs à l'aide d'une graisse spéciale.

1. Faites passer le connecteur du feu de stop au travers de la console.
2. Rebranchez le connecteur (fig. **11** 1, page 6) du feu de stop à ce dernier.
3. Raccordez la caméra tel qu'indiqué aux points fig. **12**, page 7 - fig. **14**, page 7.  
Légendes pour fig. **12**, page 7 et fig. **13**, page 7 :

N°	Désignation
1	Câble de raccordement à 6 pôles pour caméra de recul
2	Adaptateur Y caméra
3	Écran
4	Adaptateur Y écran
5	Câble système
6	Câble de raccordement à 6 pôles pour caméra panoramique ( <b>uniquement</b> CAM35 TWIN)
7	Adaptateur NAV ( <b>uniquement</b> CAM35 NAV)
ws	blanc, signal vidéo 1
ge	jaune, signal vidéo 2

N°	Désignation
sw	noir
rt	rouge

## 6.4 Montage de la caméra



### AVIS !

Faites bien attention à faire passer les câbles de caméra par le dessous de la console jusqu'aux évidements afin que les câbles ne puissent pas être écrasés.

Procédez comme suit (fig. **15**, page 8) :

- Fixez le feu de stop et la console au moyen des deux vis de fixation de 6 x 25 mm.

## 7 Entretien et nettoyage de la caméra



### AVIS ! Risque d'endommagement !

N'utilisez aucun objet coupant ou dur pour le nettoyage de l'appareil. Cela risquerait de l'endommager.

- Nettoyez de temps en temps la caméra avec un chiffon doux et humide.

## 8 Garantie

Le délai légal de garantie s'applique. Si le produit s'avérait défectueux, veuillez vous adresser à la filiale du fabricant située dans votre pays (voir [dometic.com/dealer](http://dometic.com/dealer)) ou à votre revendeur spécialisé.

Pour toute réparation ou autre prestation de garantie, veuillez joindre à l'appareil les documents suivants :

- composants défectueux,
- une copie de la facture avec la date d'achat,
- le motif de la réclamation ou une description du dysfonctionnement.

## 9 Retraitement

- Jetez les emballages dans les conteneurs de déchets recyclables prévus à cet effet.



Lorsque vous mettez votre produit définitivement hors service, informez-vous auprès du centre de recyclage le plus proche ou auprès de votre revendeur spécialisé sur les prescriptions relatives au retraitement des déchets.

## 10 Caractéristiques techniques

	<b>PerfectView CAM 35 REAR</b>	<b>PerfectView CAM 35 REAR NAV</b>
N° de produit :	9102000134	9102000133
Capteur d'images :	1/4" CMOS	
Pixels :	env. 345 000 pixels	
Standard vidéo :	NTSC	
Sensibilité :	1,5 lux	
Angle de vue :	env. 150°/60° en diagonale	
Tension de service :	10 V $\overline{=}$ à 16 V $\overline{=}$	
Consommation :	1 W	
Température de fonctionnement :	de -30 °C à +70 °C	
Type de protection :	IP69k	
Résistance aux vibrations :	10g	
Dimensions l x h x p (avec support) :	80 x 30 x 33 mm	
Poids :	env. 0,25 kg	

	<b>PerfectView CAM 35 TWIN</b>	<b>PerfectView CAM 35 TWIN NAV</b>
N° de produit :	9102000132	9102000131
Capteur d'images :	1/4" CMOS	
Pixels :	env. 345 000 pixels	
Standard vidéo :	NTSC	
Sensibilité :	1,5 lux	
Angle de vue :	env. 150°/60° en diagonale	
Tension de service :	10 V $\overline{\text{---}}$ à 16 V $\overline{\text{---}}$	
Consommation :	1 W	
Température de fonctionnement :	de -30 °C à +70 °C	
Type de protection :	IP69k	
Résistance aux vibrations :	10g	
Dimensions l x h x p (avec support) :	80 x 30 x 33 mm	
Poids :	env. 0,25 kg	



Lea atentamente estas instrucciones y siga las indicaciones, directrices y advertencias incluidas en este manual para asegurarse de que instala, utiliza y mantiene correctamente el producto en todo momento. Estas instrucciones DEBEN permanecer con este producto.

Al utilizar el producto, usted confirma que ha leído cuidadosamente todas las instrucciones, directrices y advertencias, y que entiende y acepta cumplir los términos y condiciones aquí establecidos. Usted se compromete a utilizar este producto solo para el propósito y la aplicación previstos y de acuerdo con las instrucciones, directrices y advertencias establecidas en este manual del producto, así como de acuerdo con todas las leyes y reglamentos aplicables. La no lectura y observación de las instrucciones y advertencias aquí expuestas puede causarle lesiones a usted o a terceros, daños en el producto o daños en otras propiedades cercanas. Este manual del producto, incluyendo las instrucciones, directrices y advertencias, y la documentación relacionada, pueden estar sujetos a cambios y actualizaciones. Para obtener información actualizada sobre el producto, visite la página [documents.dometic.com](http://documents.dometic.com), [dometic.com](http://dometic.com).

## Índice

1	Explicación de los símbolos . . . . .	41
2	Indicaciones de seguridad y montaje . . . . .	42
3	Suministro de entrega. . . . .	44
4	Uso adecuado . . . . .	45
5	Descripción técnica . . . . .	46
6	Montaje de la cámara . . . . .	46
7	Mantenimiento y limpieza de la cámara. . . . .	49
8	Garantía legal . . . . .	49
9	Gestión de residuos . . . . .	49
10	Datos técnicos. . . . .	50

## 1 Explicación de los símbolos



### ¡ADVERTENCIA!

**Aviso de seguridad** sobre una situación de peligro que, si no se evita, puede causar la muerte o heridas graves.



### ¡AVISO!

Aviso sobre una situación que, si no se evita, puede causar daños materiales.



### NOTA

Información complementaria para el manejo del producto.

## 2 Indicaciones de seguridad y montaje



### ¡ADVERTENCIA!

Peligro de que se produzcan daños personales con el vehículo. Los sistemas de vídeo de marcha atrás ofrecen una ayuda adicional en las maniobras de marcha atrás, lo que **no** le exime a usted de la **responsabilidad de tomar las precauciones necesarias durante la marcha atrás.**

### Tenga en cuenta las indicaciones de seguridad y la documentación suministrada por el fabricante del vehículo y por el taller.

Tenga en cuenta las siguientes indicaciones:

- Desemborne el polo negativo siempre que vaya a trabajar en el sistema eléctrico del vehículo para evitar un cortocircuito.  
Desemborne también el polo negativo de la batería adicional en aquellos vehículos que dispongan de una.
- Las conexiones eléctricas insuficientes pueden provocar que, a causa de un cortocircuito:
  - se quemen los cables,
  - se dispare el airbag,
  - resulten dañados los dispositivos electrónicos de control,
  - queden sin funcionamiento determinadas funciones eléctricas (intermitentes, luz de freno, claxon, encendido, luz).
- Al trabajar en las siguientes líneas, utilice solo terminales de cable, clavijas y manguitos planos que estén provistos de aislamiento:
  - 30 (entrada del polo positivo directo de la batería),
  - 15 (polo positivo conectado, detrás de la batería),
  - 31 (línea de retorno desde la batería, masa),
  - 58 (luz de marcha atrás).

No utilice **ninguna** regleta.

- Utilice una crimpadora para conectar los cables.
- En el caso de conexiones a la línea 31 (masa), atornille el cable
  - con terminal de cable y arandela dentada a un tornillo de masa del vehículo, o bien,
  - con terminal de cable y tornillo para chapa a la chapa de la carrocería.

Asegúrese de que se produzca una correcta transmisión a masa.

Tenga en cuenta que al desembornar el polo negativo de la batería se perderán todos los datos almacenados en las memorias volátiles de la electrónica de confort.

- Dependiendo del equipamiento del vehículo, deberá volver a configurar los siguientes datos:
  - código de radio
  - reloj del vehículo
  - temporizador
  - ordenador de a bordo
  - posición del asiento

Las indicaciones para realizar las configuraciones se encuentran en las instrucciones de uso correspondientes.

Tenga en cuenta las siguientes indicaciones durante el montaje:

- Fije bien las piezas de la cámara montadas en el vehículo de modo que no se puedan soltar bajo ninguna circunstancia (frenadas bruscas, accidentes) ocasionando **heridas a los ocupantes del vehículo**.
- Fije ocultas bajo revestimientos las partes del sistema que se deban montar, de manera que no puedan soltarse o dañar otras piezas ni cables, y de manera que no puedan afectar a las funciones del vehículo (dirección, pedales, etc.).
- Al taladrar, asegúrese de disponer de suficiente espacio para la salida de la broca y evitar que se produzcan daños.
- Desbarbe las perforaciones y aplíqueles un producto anticorrosivo.
- Tenga en cuenta siempre las indicaciones de seguridad del fabricante del vehículo.  
Determinados trabajos (p. ej. en los sistemas de retención como el AIRBAG, etc.) solo los puede realizar personal especializado y con la debida formación.

Tenga en cuenta las siguientes indicaciones al trabajar en los componentes eléctricos:

- Para comprobar la tensión en los cables eléctricos utilice solamente un diodo de comprobación o un voltímetro.  
Las lámparas de prueba con un elemento luminoso producen un consumo de corriente demasiado elevado por lo que puede dañarse el sistema electrónico del vehículo.
- Al tender los cables eléctricos preste atención a que éstos:
  - no se doblen ni se tuerzan,
  - no rocen con bordes,
  - no se tiendan sin protección a través de guías con aristas afiladas (fig. **1**, página 3).

- Aísle todos los empalmes y conexiones.
- Asegure los cables frente a tracciones mecánicas mediante abrazaderas para cables o cinta aislante, por ejemplo, fijándolos a las líneas ya existentes.

La cámara es impermeable al agua. Sin embargo, las juntas de la cámara no resisten los efectos de un limpiador de alta presión (fig. **2**, página 3). Por ello, tenga en cuenta también las siguientes indicaciones de uso para la cámara:

- No deben utilizar este producto sin la vigilancia o las instrucciones de una persona responsable las personas (incluidos los niños) que, debido a sus capacidades físicas, sensoriales o mentales, a su falta de experiencia o a desconocimiento, no puedan utilizar el producto de forma segura.
- No abra la cámara, puesto que ello menguaría la estanqueidad y la capacidad de funcionamiento (fig. **3**, página 3).
- No tire de los cables, puesto que ello menguaría la estanqueidad y la capacidad de funcionamiento de la cámara (fig. **4**, página 3).
- La cámara no está concebida para utilizarla bajo agua (fig. **5**, página 3).

### 3 Suministro de entrega

Nº en fig. <b>6</b> , página 4	Cantidad	Denominación	N.º de artículo
1	1	Cámara CAM 35 CAM35 REAR CAM35 REAR NAV CAM35 TWIN CAM35 TWIN NAV	9102000134 9102000133 9102000132 9102000131
2	1	Junta	–
3	1	CAM 35 Y-Adapter CAM	9600000552
4	1	CAM35 Y-Adapter MON	9600000553
5	1	Cable del sistema	9600000137
–	1	Adaptador NAV (solo CAM35 REAR NAV o CAM35 TWIN NAV)	9600000554
–	2	Tornillos de fijación 6 x 25 mm	
–	–	Instrucciones de montaje y de uso	

## 4 Uso adecuado

La cámara doble CAM35 está especialmente concebida para su empleo en vehículos Fiat Ducato, Citroën Jumper, Peugeot Boxer a partir del año modelo 2006 con techo sencillo. La consola de la cámara se monta entre la carrocería y las luces de freno. Se pueden utilizar en sistemas de video destinados a observar, desde el asiento del conductor, el área circundante al vehículo, p. ej., al maniobrar o al aparcar.

Este producto solo es apto para el uso previsto y la aplicación de acuerdo con estas instrucciones.

Este manual proporciona la información necesaria para la correcta instalación y/o funcionamiento del producto. Una instalación deficiente y/o un uso y mantenimiento inadecuados conllevan un rendimiento insatisfactorio y posibles fallos.

El fabricante no se hace responsable de ninguna lesión o daño en el producto ocasionados por:

- Un montaje o conexión incorrectos, incluido un exceso de tensión
- Un mantenimiento incorrecto o el uso de piezas de repuesto distintas de las originales proporcionadas por el fabricante
- Modificaciones realizadas en el producto sin el expreso consentimiento del fabricante
- Uso con una finalidad distinta de la descrita en las instrucciones

Dometic se reserva el derecho de cambiar la apariencia y las especificaciones del producto.

## 5 Descripción técnica

La cámara para marcha atrás y la cámara de visión a distancia (**solo** CAM35 TWIN) se alojan en una consola para las luces de freno originales. La imagen de la cámara se transmite al monitor a través de un cable del sistema. La CAM35 es apta para conectar al sistema de navegación Uconnect original de Fiat ya que las cámaras proporcionan una señal de vídeo NTSC.

La cámara consta, entre otros, de los siguientes elementos:

N.º en fig. <b>8</b> , página 5	Denominación
1	Cámara para marcha atrás
2	Cámara para visión a distancia ( <b>solo</b> CAM35 TWIN)
3	Cable de conexión de 6 polos para cámara para visión a distancia ( <b>solo</b> CAM35 TWIN)
4	Cable de conexión de 6 polos para cámara para marcha atrás

### Solo para CAM35 TWIN

En la CAM35 TWIN se debe conectar un monitor con dos entradas de vídeo que se puede conmutar entre la cámara para marcha atrás y la cámara para visión a distancia.

La cámara para visión a distancia transmite la imagen como si se estuviera viendo en el espejo retrovisor.

### Solo para CAM35 NAV

Las cámaras CAM35 REAR NAV y CAM35 TWIN NAV se pueden conectar a monitores de otros fabricantes. Se incluye un adaptador universal (adaptador CAM35 NAV).

## 6 Montaje de la cámara

### 6.1 Desmontaje de las luces de freno

1. Suelte los dos tornillos de las luces de freno (fig. **9**, página 5).
2. Extraiga la clavija de las luces de freno (fig. **10**, página 6).

## 6.2 Tendido de cables



### ¡AVISO! ¡Peligro de ocasionar daños materiales!

- Si perfora agujeros, compruebe primero si existe el espacio libre suficiente para la salida del taladro.
- La colocación y las conexiones de cables que no hayan sido realizadas por personal especializado, generalmente tienen como consecuencia el mal funcionamiento o daños en los componentes. La instalación y conexión correctas de los cables son requisitos fundamentales para un funcionamiento duradero y correcto de los accesorios instalados.
- Los cables no deben estar durante largo tiempo en contacto con disolventes, como p.ej. gasolina, puesto que dañarían el cable.

Por ello, observe las siguientes indicaciones:

- Para tender los cables de conexión utilice, siempre que sea posible, canales de paso originales u otras posibilidades, como por ejemplo, bordes del revestimiento, rejillas de ventilación o tapas de interruptores. Si no existe ningún canal de paso previo, deberá realizar las correspondientes perforaciones para cada cable. Antes, compruebe si hay suficiente espacio libre para la salida de la broca.
  - Siempre que sea posible, tienda los cables en el interior del vehículo, puesto que allí estarán más protegidos que si van por fuera del mismo. Si a pesar de ello tendiese los cables por la parte externa del vehículo, procure que queden bien fijos (mediante abrazaderas de cable adicionales, cinta aislante, etc.).
  - A fin de evitar daños en los cables, al instalarlos, mantenga una distancia suficiente respecto a las piezas del vehículo que estén calientes y en movimiento (tubos de escape, ejes de accionamiento, dínamo, ventiladores, calefacción, etc.). Como protección mecánica utilice tubo ondulado o material protector de semejantes características.
  - Atornille los conectores del cable de conexión para protegerlo frente a la entrada de agua (fig. 14, página 7).
  - Al tender los cables asegúrese de que:
    - no se doblen ni se retuerzan,
    - no rocen con bordes,
    - no se tiendan sin protección a través de guías con aristas afiladas.
  - Fije los cables al vehículo de un modo seguro, para evitar un enganche (peligro de caídas). Para lograr este propósito, utilice abrazaderas para cables, cinta aislante o péguelos con pegamento.
- Tienda el cable del sistema.

## 6.3 Conexión eléctrica de la cámara



### NOTA

- Coloque el cable de la cámara de tal modo que, en caso de tener que desmontar la cámara, pueda llegar con facilidad a la conexión de enchufe entre la cámara y el cable alargador. De este modo, el desmontaje se facilita considerablemente.
- Para reducir la corrosión de la clavija, se recomienda aplicar grasa, p.ej. grasa para polos, en una de las clavijas.

1. Pase la clavija de las luces de freno por la consola.
2. Vuelva a enchufar la clavija (fig. **11** 1, página 6) de las luces de freno en las luces de freno.
3. Conecte la cámara como se indica en fig. **12**, página 7 a fig. **14**, página 7.

Leyendas de fig. **12**, página 7 y fig. **13**, página 7:

N.º	Denominación
1	Cable de conexión de 6 polos para cámara para marcha atrás
2	Adaptador en Y para cámara
3	Monitor
4	Adaptador en Y para monitor
5	Cable del sistema
6	Cable de conexión de 6 polos para cámara para visión a distancia ( <b>solo</b> CAM35 TWIN)
7	Adaptador NAV ( <b>solo</b> CAM35 NAV)
ws	blanco, señal de vídeo 1
ge	amarillo, señal de vídeo 2
sw	negro
rt	rojo



## 6.4 Montaje de la cámara



### ¡AVISO!

Preste atención a pasar los cables de la cámara de la parte inferior de la consola hasta las entalladuras para que no se puedan pillar los cables.

Proceda de la siguiente manera (fig. 15, página 8):

- Fije las luces de freno y la consola con dos tornillos de fijación de 6 x 25 mm.

## 7 Mantenimiento y limpieza de la cámara



### ¡AVISO! ¡Peligro de ocasionar daños materiales!

No utilice ningún instrumento afilado o duro para la limpieza, ya que podría dañar el aparato.

- Limpie la cámara con un paño húmedo y suave cuando sea necesario.

## 8 Garantía legal

Rige el plazo de garantía legal. Si el producto presenta algún defecto, diríjase a la sucursal del fabricante de su país (véase [dometic.com/dealer](http://dometic.com/dealer)) o a su establecimiento especializado.

Para la tramitación de la reparación y de la garantía debe enviar lo siguiente:

- componentes defectuosos,
- una copia de la factura con fecha de compra,
- el motivo de la reclamación o una descripción de la avería.

## 9 Gestión de residuos

- Deseche el material de embalaje en el contenedor de reciclaje correspondiente.



Cuando vaya a desechar definitivamente el producto, infórmese en el centro de reciclaje más cercano o en un comercio especializado sobre las normas pertinentes de eliminación de materiales.

## 10 Datos técnicos

	<b>PerfectView CAM 35 REAR</b>	<b>PerfectView CAM 35 REAR NAV</b>
N.º de art.:	9102000134	9102000133
Sensor de imagen:	1/4" CMOS	
Píxeles:	aprox. 345 000 píxeles	
Formato de vídeo:	NTSC	
Sensibilidad:	1,5 lux	
Ángulo de visión:	aprox. 150°/60° diagonal	
Tensión de funcionamiento:	de 10 V $\pm$ a 16 V $\pm$	
Consumo:	1 W	
Temperatura de funcionamiento:	de -30 °C a +70 °C	
Clase de protección:	IP69k	
Resistencia a vibraciones:	10g	
Dimensiones A x H x P (con soporte):	80 x 30 x 33 mm	
Peso:	aprox. 0,25 kg	

	<b>PerfectView CAM 35 TWIN</b>	<b>PerfectView CAM 35 TWIN NAV</b>
N.º de art.:	9102000132	9102000131
Sensor de imagen:	1/4" CMOS	
Píxeles:	aprox. 345 000 píxeles	
Formato de vídeo:	NTSC	
Sensibilidad:	1,5 lux	
Ángulo de visión:	aprox. 150°/60° diagonal	
Tensión de funcionamiento:	de 10 V $\pm$ a 16 V $\pm$	
Consumo:	1 W	
Temperatura de funcionamiento:	de -30 °C a +70 °C	
Clase de protección:	IP69k	
Resistencia a vibraciones:	10g	
Dimensiones A x H x P (con soporte):	80 x 30 x 33 mm	
Peso:	aprox. 0,25 kg	

Leia atentamente as presentes instruções e siga todas as instruções, orientações e avisos incluídos neste manual, de modo a garantir a correta instalação, utilização e manutenção do produto. É OBRIGATÓRIO manter estas instruções junto com o produto.

Ao utilizar o produto, está a confirmar que leu atentamente todas as instruções, orientações e avisos, e que compreende e aceita cumprir os termos e condições estabelecidos no presente manual. Aceita utilizar este produto exclusivamente para o fim e a aplicação a que se destina e de acordo com as instruções, orientações e avisos estabelecidos neste manual, assim como de acordo com todas as leis e regulamentos aplicáveis. Caso não leia nem siga as instruções e os avisos aqui estabelecidos, poderá sofrer ferimentos pessoais ou causar ferimentos a terceiros e o produto ou outros materiais nas proximidades poderão ficar danificados. Este manual do produto, incluindo as instruções, orientações e avisos, bem como a documentação relacionada, podem estar sujeitos a alterações e atualizações. Para consultar as informações atualizadas do produto, visite [documents.dometic.com](http://documents.dometic.com), [dometic.com](http://dometic.com).

## Índice

1	Explicação dos símbolos . . . . .	52
2	Indicações de segurança e de montagem . . . . .	53
3	Material fornecido . . . . .	55
4	Utilização adequada . . . . .	56
5	Descrição técnica . . . . .	57
6	Montar a câmara . . . . .	58
7	Conservar e limpar a câmara . . . . .	60
8	Garantia . . . . .	60
9	Eliminação . . . . .	61
10	Dados técnicos . . . . .	61

## 1 Explicação dos símbolos



### AVISO!

**Indicação de segurança** sobre uma situação de perigo que pode levar à morte ou a ferimentos graves se não for evitada.



### NOTA!

Indicação sobre uma situação que leva a danos materiais se não for evitada.



### OBSERVAÇÃO

Informações complementares sobre a operação do produto.

## 2 Indicações de segurança e de montagem



### AVISO!

Perigo de ferimentos provocados pelo veículo.

Os sistemas de vídeo de marcha-atrás oferecem uma ajuda adicional nas manobras de marcha-atrás, **não o dispensando, no entanto, de ser extremamente prudente durante essas manobras.**

### **Cumpra as indicações de segurança e o especificado na literatura do fabricante do veículo e das associações profissionais do setor!**

Preste atenção ao seguinte:

- Antes de efetuar trabalhos no sistema elétrico do veículo, desligue sempre o polo negativo devido a perigo de curto-circuito.  
No caso de veículos com bateria adicional, esta também deve ser desligada do polo negativo.
- Se não forem ligados todos os cabos, podem ocorrer curtos-circuitos que façam com que
  - os cabos fiquem queimados,
  - o airbag dispare,
  - os dispositivos de controlo eletrónicos fiquem danificados,
  - funções elétricas falhem (pisca-pisca, luz de travagem, buzina, ignição, luzes).
- Em trabalhos nos seguintes cabos, utilize apenas terminais de cabos, fichas e mangas para fichas planas isolados:
  - 30 (entrada direta do positivo da bateria),
  - 15 (positivo ligado, por detrás da bateria),
  - 31 (cabo de retorno a partir da bateria, terra),
  - 58 (faróis de marcha-atrás).

**Não** utilize quaisquer barras de junção.

- Utilize um alicate de crimpar para ligar os cabos.
- Aparafuse o cabo nas ligações ao cabo 31 (terra)
  - com terminal de cabo e arruela dentada a um parafuso de ligação à terra do veículo ou
  - com terminal de cabos e parafuso autorroscante à chapa da carroçaria.

Garanta a uma boa transmissão à terra!

Ao retirar o borne do polo negativo da bateria, todas as memórias voláteis da eletrónica de conforto perdem os seus dados memorizados.

- De acordo com a versão do veículo, terá de configurar novamente os seguintes dados:
  - Código do rádio
  - Relógio do veículo
  - Temporizador
  - Computador de bordo
  - Posição de utilização

No respetivo manual de instruções encontrará indicações relativas à regulação.

Durante a montagem, respeite as seguintes indicações:

- Fixe as peças da câmara montadas no veículo de forma a que não se soltem em circunstância alguma (travagem busca, acidente de viação), o que poderia causar **ferimentos aos ocupantes do veículo**.
- Fixe os componentes do sistema instalados por baixo de revestimentos de modo a que não se soltem ou danifiquem outros componentes e cabos e não limitem as funções do veículo (direção, pedais, etc.).
- Durante a perfuração, certifique-se de que existe espaço suficiente para a saída da broca de modo a evitar danos.
- Remova as rebarbas de cada furo e coloque nos furos um produto anticorrosão.
- Preste sempre atenção às indicações de segurança do fabricante automóvel. Alguns trabalhos (por ex., sistemas de retenção como AIRBAG, etc.) apenas podem ser realizados por técnicos qualificados.

Respeite as seguintes indicações durante o trabalho em peças elétricas:

- Para verificar a tensão em ligações elétricas utilize apenas uma lâmpada-padrão ou de díodos ou um voltímetro.  
Lâmpadas-padrão com um corpo luminoso consomem correntes muito elevadas, pelo que a eletrónica do veículo pode ser danificada.
- Ao colocar as ligações elétricas tenha atenção para que estas
  - não fiquem dobradas ou torcidas,
  - não sejam friccionadas de encontro às arestas,
  - não passem sem proteção através de guias de passagem com arestas afiadas (fig. 1, página 3).
- Isole todos os cabos e ligações.
- Proteja os cabos contra desgaste mecânico através de abraçadeiras ou fita isolante, por ex., nos cabos existentes.

A câmara é estanque. No entanto as vedações da câmara não resistem a um aparelho de limpeza a alta pressão (fig. **2**, página 3). Preste, por isso, atenção às seguintes indicações sobre o manuseamento da câmara:

- As pessoas (incluindo crianças) que não estão aptas a utilizar o produto de modo seguro devido a incapacidade física, sensorial ou mental ou devido à sua in experiência não devem utilizar o produto sem a supervisão ou as instruções de uma pessoa responsável.
- Não abra a câmara, uma vez que isso afeta a sua estanqueidade e a capacidade de funcionamento (fig. **3**, página 3).
- Não puxe pelos cabos, uma vez que isso afeta a estanqueidade e a capacidade de funcionamento da câmara (fig. **4**, página 3).
- A câmara não é adequada para ser utilizada debaixo de água (fig. **5**, página 3).

### 3 Material fornecido

N.º na fig. <b>6</b> , página 4	Quantidade	Designação	N.º de artigo
1	1	Câmara CAM 35	
		CAM35 REAR	9102000134
		CAM35 REAR NAV	9102000133
		CAM35 TWIN	9102000132
		CAM35 TWIN NAV	9102000131
2	1	Vedação	–
3	1	CAM35 adaptador Y CAM	9600000552
4	1	CAM35 adaptador Y MON	9600000553
5	1	Cabo do sistema	9600000137
–	1	Adaptador NAV (apenas CAM35 REAR NAV ou CAM35 TWIN NAV)	9600000554
–	2	Parafusos de fixação 6 x 25 mm	
–	–	Manual de montagem e operação	

## 4 Utilização adequada

A câmara dupla CAM35 foi pensada especialmente para utilização nos veículos Fiat Ducato, Citroën Jumper e Peugeot Boxer a partir do modelo do ano de 2006 com tejadilho simples. A consola da câmara é montada entre a carroçaria e a luz de travagem. Pode ser utilizada em sistemas de vídeo para observação da área em torno do veículo a partir do lugar do condutor, por ex. ao fazer manobras ou ao estacionar.

Este produto destina-se exclusivamente à aplicação e aos fins pretendidos com base nestas instruções.

Este manual fornece informações necessárias para proceder a uma instalação e/ou a uma operação adequadas do produto. Uma instalação e/ou uma operação ou manutenção incorretas causarão um desempenho insatisfatório e uma possível avaria.

O fabricante não aceita qualquer responsabilidade por danos ou prejuízos no produto resultantes de:

- Montagem ou ligação incorreta, incluindo sobretensões
- Manutenção incorreta ou utilização de peças sobressalentes não originais fornecidas pelo fabricante
- Alterações ao produto sem autorização expressa do fabricante
- Utilização para outras finalidades que não as descritas no presente manual

A Dometic reserva-se o direito de alterar o design e as especificações do produto.



## 5 Descrição técnica

A câmara de marcha-atrás e a de visão à distância (**apenas** CAM35 TWIN) estão instaladas numa consola para a luz de travagem original. A imagem da câmara é transmitida por um cabo do sistema para um monitor. A CAM35 é adequada para ligação ao sistema de navegação Fiat original Uconnect, uma vez que as câmaras disponibilizam um sinal de vídeo NTSC.

A câmara é composta, entre outros, pelos seguintes elementos:

N.º na fig. 8, página 5	Designação
1	Câmara de marcha-atrás
2	Câmara de visão à distância ( <b>apenas</b> CAM35 TWIN)
3	Cabo de ligação de 6 pinos para câmara de visão à distância ( <b>apenas</b> CAM35 TWIN)
4	Cabo de ligação de 6 pinos para câmara de marcha-atrás

### Apenas para CAM35 TWIN

Com a CAM35 TWIN, é necessário ligar um monitor com duas entradas de vídeo que permita comutar entre a imagem da câmara de marcha-atrás e a de visão à distância.

A câmara de visão à distância transmite a imagem como se olhasse pelo espelho retrovisor.

### Apenas para CAM35 NAV

as câmaras CAM35 REAR NAV e CAM35 TWIN NAV podem ser ligadas a monitores de outros fabricantes. Está incluído um adaptador universal (CAM35 adaptador NAV).

## 6 Montar a câmara

### 6.1 Desmontar a luz de travagem

1. Solte os dois parafusos da luz de travagem (fig. **9**, página 5).
2. Puxe o conector da luz de travagem para fora (fig. **10**, página 6).

### 6.2 Passar os cabos



#### **NOTA! Perigo de danos!**

- Antes de fazer furos, verifique se existe espaço livre suficiente para a saída da broca.
- A passagem e a ligação de cabos não adequadas provocam sempre falhas de funcionamento ou danos nos componentes. A passagem ou ligação de cabos correta é uma condição fundamental para um funcionamento duradouro e sem falhas dos componentes reequipados.
- Os cabos não podem entrar em contacto durante muito tempo com solventes como, por ex., benzina, uma vez que ficariam danificados.

Preste, por isso, atenção às seguintes indicações:

- Utilize para a passagem do cabo de ligação, se possível, passagens originais ou outras possibilidades de passagem, por ex. arestas de revestimento, grades de ventilação ou interruptores cegos. Se não estiverem disponíveis quaisquer passagens, terá de realizar os respetivos furos para cada cabo. Confira antes se está disponível espaço livre suficiente para a saída da broca.
- Sempre que possível, passe os cabos através do interior do veículo, pois aí estão mais protegidos do que no exterior.  
Caso, mesmo assim, passe os cabos pelo exterior do veículo, tenha atenção para que fiquem bem presos (com braçadeiras de cabos ou fita isolante etc.).
- Para evitar danos nos cabos, ao passar os cabos, mantenha sempre uma distância suficiente em relação a peças do veículo quentes ou em movimento (tubos de escape, eixos de transmissão, alternador, ventiladores, aquecimento, etc.). Para proteção mecânica, utilize tubo ondulado ou materiais de proteção semelhantes.
- Aparafuse os conectores do cabo de ligação para ficarem protegidos contra a entrada de água (fig. **14**, página 7).

- Ao passar os cabos, tenha atenção para que estes
    - não fiquem muito dobrados ou torcidos,
    - não sejam friccionados de encontro às arestas,
    - não passem sem proteção através de guias de passagem com arestas afiadas.
  - Fixe os cabos no veículo de modo seguro para evitar que fiquem enrolados (perigo de queda). Isto pode ser realizado através da utilização de braçadeiras, fita isolante ou cola.
- Passe o cabo do sistema.

### 6.3 Efetuar a ligação elétrica da câmara



#### OBSERVAÇÃO

- Passe o cabo da câmara de forma a que, em caso de uma desmontagem eventualmente necessária, se possa aceder facilmente à ligação de ficha entre a câmara e o cabo de extensão. A desmontagem ficará deste modo consideravelmente simplificada.
- De forma a minimizar a corrosão na ficha, aplique um pouco de massa lubrificante, por ex., massa própria para pinos, numa das fichas.

1. Passe o conector da luz de travagem através da consola.
2. Insira o conector (fig. **11** 1, página 6) da luz de travagem novamente na luz de travagem.
3. Ligue a câmara conforme apresentado em fig. **12**, página 7 a fig. **14**, página 7. Legenda sobre fig. **12**, página 7 e fig. **13**, página 7:

N.º	Designação
1	Cabo de ligação de 6 pinos para câmara de marcha-atrás
2	Adaptador Y câmara
3	Monitor
4	Adaptador Y monitor
5	Cabo do sistema
6	Cabo de ligação de 6 pinos para câmara de visão à distância ( <b>apenas</b> CAM35 TWIN)
7	Adaptador NAV ( <b>apenas</b> CAM35 NAV)
ws	branco, sinal de vídeo 1

N.º	Designação
ge	amarelo, sinal de vídeo 2
sw	preto
rt	vermelho

## 6.4 Montar a câmara



### NOTA!

Garanta que os cabos da câmara não ficam esmagados ao serem passados desde o lado inferior da consola até aos entalhes.

Proceda do seguinte modo (fig. 15, página 8):

- Fixe a luz de travagem e a consola com os dois parafusos de fixação 6 x 25 mm.

## 7 Conservar e limpar a câmara



### NOTA! Perigo de danos!

Não utilize objetos afiados ou duros para a limpeza, uma vez que podem causar danos no aparelho.

- De vez em quando, limpe a câmara com um pano macio humedecido.

## 8 Garantia

É válido o prazo de garantia legal. Se o produto estiver com defeito, por favor, dirija-se à representação do fabricante no seu país (ver [dometic.com/dealer](http://dometic.com/dealer)) ou ao seu revendedor.

Para fins de reparação ou de garantia, terá de enviar os seguintes documentos:

- componentes com defeito,
- uma cópia da fatura com a data de aquisição,
- um motivo de reclamação ou uma descrição da falha.

## 9 Eliminação

- Sempre que possível, coloque o material de embalagem no respectivo contentor de reciclagem.



Para colocar o aparelho definitivamente fora de funcionamento, por favor, informe-se junto do centro de reciclagem mais próximo ou revendedor sobre as disposições de eliminação aplicáveis.

## 10 Dados técnicos

	<b>PerfectView CAM 35 REAR</b>	<b>PerfectView CAM 35 REAR NAV</b>
N.º art.:	9102000134	9102000133
Sensor de imagem:	1/4" CMOS	
Pontos de imagem:	aprox. 345000 pixels	
Padrão de vídeo:	NTSC	
Sensibilidade:	1,5 Lux	
Ângulo de visão:	aprox. 150°/60° diagonal	
Tensão de funcionamento:	10 V <sub>DC</sub> até 16 V <sub>DC</sub>	
Consumo:	1 W	
Temperatura de funcionamento:	-30 °C a +70 °C	
Classe de proteção:	IP69k	
Resistência à vibração:	10g	
Dimensões L x A x P (com suporte):	80 x 30 x 33 mm	
Peso:	aprox. 0,25 kg	

	<b>PerfectView CAM 35 TWIN</b>	<b>PerfectView CAM 35 TWIN NAV</b>
N.º art.:	9102000132	9102000131
Sensor de imagem:	1/4" CMOS	
Pontos de imagem:	aprox. 345000 pixels	
Padrão de vídeo:	NTSC	
Sensibilidade:	1,5 Lux	
Ângulo de visão:	aprox. 150°/60° diagonal	
Tensão de funcionamento:	10 V $\overline{=}$ até 16 V $\overline{=}$	
Consumo:	1 W	
Temperatura de funcionamento:	-30 °C a +70 °C	
Classe de proteção:	IP69k	
Resistência à vibração:	10g	
Dimensões L x A x P (com suporte):	80 x 30 x 33 mm	
Peso:	aprox. 0,25 kg	

Si prega di leggere attentamente e di seguire tutte le istruzioni, le linee guida e le avvertenze incluse in questo manuale del prodotto, al fine di garantire che il prodotto venga sempre installato, utilizzato e mantenuto nel modo corretto. Queste istruzioni DEVONO essere conservate insieme al prodotto.

Utilizzando il prodotto, l'utente conferma di aver letto attentamente tutte le istruzioni, le linee guida e le avvertenze e di aver compreso e accettato di rispettare i termini e le condizioni qui espressamente indicati. L'utente accetta di utilizzare questo prodotto solo per lo scopo e l'applicazione previsti e in conformità con le istruzioni, le linee guida e le avvertenze indicate nel presente manuale del prodotto, nonché in conformità con tutte le leggi e i regolamenti applicabili. La mancata lettura e osservanza delle istruzioni e delle avvertenze qui espressamente indicate può causare lesioni personali e a terzi, danni al prodotto o ad altre proprietà nelle vicinanze. Il presente manuale del prodotto, comprese le istruzioni, le linee guida e le avvertenze e la relativa documentazione possono essere soggetti a modifiche e aggiornamenti. Per informazioni aggiornate sul prodotto, si prega di visitare il sito [documents.dometic.com](http://documents.dometic.com), [dometic.com](http://dometic.com).

## Indice

1	Spiegazione dei simboli . . . . .	63
2	Indicazioni di sicurezza e di montaggio . . . . .	64
3	Dotazione . . . . .	66
4	Conformità d'uso . . . . .	67
5	Descrizione tecnica. . . . .	68
6	Montaggio della telecamera . . . . .	69
7	Cura e pulizia della telecamera . . . . .	71
8	Garanzia . . . . .	71
9	Smaltimento . . . . .	72
10	Specifiche tecniche. . . . .	72

## 1 Spiegazione dei simboli



### AVVERTENZA!

**Indicazione di sicurezza** che segnala una situazione di pericolo che se non evitata può provocare morte o gravi lesioni.



### AVVISO!

Indicazione di una situazione che se non evitata può provocare danni materiali.



### NOTA

Informazioni integranti relative all'impiego del prodotto.

## 2 Indicazioni di sicurezza e di montaggio



### AVVERTENZA!

Pericolo di danni a persone causati dal veicolo.

I videosistemi per retromarcia rappresentano un aiuto durante la retromarcia, tuttavia **non** esulano il conducente dal **dovere di guidare con particolare prudenza durante la retromarcia**.

### Osservare le indicazioni di sicurezza e le direttive previste dal produttore del veicolo e degli specialisti del settore!

Osservare le seguenti avvertenze.

- Per scongiurare il pericolo di un cortocircuito, staccare sempre il polo negativo, prima di eseguire qualsiasi lavoro al sistema elettrico del veicolo.  
È necessario staccare il polo negativo della batteria anche quando si tratta di veicoli con batteria ausiliare.
- In caso di cortocircuito, collegamenti elettrici inadeguati possono provocare
  - bruciatura di cavi
  - attivazione dell'airbag
  - danneggiamento ai dispositivi elettronici di controllo
  - guasti delle funzioni elettriche (lampeggiatore, luce di arresto, segnalatore acustico, accensione, luce di marcia)
- Per l'esecuzione dei lavori alle seguenti linee, impiegare solamente spine, spine femmina piatte e capicorda isolati:
  - 30 (ingresso diretto del polo della batteria)
  - 15 (polo positivo inserito, dietro batteria)
  - 31 (cavo di ritorno dalla batteria, a massa)
  - 58 (proiettore di retromarcia)

**Non** utilizzare morsetti.

- Per collegare i cavi impiegare una pinza a crimpare.
- Collegare il cavo con viti agli allacciamenti sulla linea 31 (a massa)
  - con capocorda e rosetta elastica dentata piana ad una vite di massa propria del veicolo o
  - con capocorda e vite autofilettante alla lamiera della carrozzeria.

Accertarsi che ci sia un buon collegamento di massa!



Quando si stacca il polo negativo della batteria, tutte le memorie volatili del sistema dell'elettronica per funzioni comfort perdono i dati memorizzati.

- A seconda dell'equipaggiamento del veicolo devono essere reimpostati i seguenti dati per:
  - codice radio
  - orologio
  - timer
  - computer di bordo
  - posizione sedile

Per indicazioni relative all'impostazione, consultare le istruzioni per l'uso valide di volta in volta.

Osservare le seguenti indicazioni per il montaggio:

- Fissare i componenti della telecamera montati nel veicolo in modo che non possano mai staccarsi, (ad es. in caso di frenate brusche o incidenti) e non possano portare al **ferimento dei passeggeri**.
- Fissare i componenti del sistema non a vista da applicare sotto il rivestimento in modo tale che non possano staccarsi o danneggiare altri componenti e cavi e compromettere le funzioni del veicolo (sterzo, pedali ecc.).
- Durante i lavori di trapanatura, assicurarsi che ci sia spazio sufficiente per l'uscita del trapano per evitare eventuali danni.
- Sbavare ogni foro e trattarlo con antiruggine.
- Osservare sempre le indicazioni di sicurezza del produttore del veicolo. Alcuni lavori (ad es. ai sistemi di ritenuta, quali AIRBAG ecc.) devono essere eseguiti esclusivamente da personale qualificato addestrato.

Osservare le seguenti indicazioni durante l'esecuzione dei lavori ai componenti elettrici:

- Per il controllo della tensione nelle linee elettriche utilizzare unicamente un diodo indicatore o un voltmetro.  
Le lampade campione con un corpo luminoso assorbono tensioni eccessive e possono così danneggiare il sistema elettronico del veicolo.
- Durante la disposizione degli allacciamenti elettrici fare in modo che questi
  - non vengano torti o piegati,
  - non sfreghino contro spigoli
  - non vengano posati in canaline con spigoli vivi senza protezione (fig. **1**, pagina 3).
- Isolare tutti i collegamenti e gli allacciamenti.

- Con fascette serracavi o con nastro isolante fissare i cavi, ad es. alle linee disponibili, per proteggerli dalle sollecitazioni meccaniche.

La telecamera è a tenuta stagna. Le guarnizioni della telecamera però non resistono al getto di una idropulitrice (fig. **2**, pagina 3). È opportuno perciò osservare le seguenti indicazioni per l'impiego della telecamera:

- Le persone (bambini inclusi) che, a causa delle proprie capacità fisiche, sensoriali o mentali oppure della propria inesperienza o scarsa conoscenza, non siano in grado di utilizzare il prodotto in modo sicuro, devono evitare di utilizzare questo prodotto se non in presenza e seguendo le istruzioni di una persona per loro responsabile.
- Non aprire la telecamera in quanto ne verrebbero compromesse la tenuta e la funzionalità (fig. **3**, pagina 3).
- Non tirare i cavi perché la tenuta e la funzionalità della telecamera verrebbero compromesse (fig. **4**, pagina 3).
- La telecamera non è adatta per l'impiego sott'acqua (fig. **5**, pagina 3).

### 3 Dotazione

N. in fig. <b>6</b> , pagina 4	Quantità	Denominazione	N. articolo
1	1	Telecamera CAM 35 CAM35 REAR CAM35 REAR NAV CAM35 TWIN CAM35 TWIN NAV	9102000134 9102000133 9102000132 9102000131
2	1	guarnizione	–
3	1	CAM35 adattatore Y CAM	9600000552
4	1	CAM35 adattatore Y MON	9600000553
5	1	Cavo di sistema	9600000137
–	1	adattatore NAV (solo per CAM35 REAR NAV o CAM35 TWIN NAV)	9600000554
–	2	viti di fissaggio 6 x 25 mm	
–	–	Istruzioni di montaggio e d'uso	

## 4 Conformità d'uso

La telecamera doppia CAM35 è concepita particolarmente per l'impiego nei veicoli Fiat Ducato, Citroën Jumper, Peugeot Boxer a partire dall'anno di produzione 2006 con tetto semplice. La console della telecamera viene montata fra la carrozzeria e la luce di arresto. Possono essere applicate in videosistemi che servono a controllare l'area circostante il veicolo dal sedile di guida, ad es. in fase di manovra o di parcheggio.

Questo prodotto è adatto solo per l'uso e l'applicazione previsti in conformità con le presenti istruzioni.

Questo manuale fornisce le informazioni necessarie per la corretta installazione e/o il funzionamento del prodotto. Una cattiva installazione e/o un funzionamento o una manutenzione impropria comporteranno prestazioni insoddisfacenti e un possibile guasto.

Il produttore non si assume alcuna responsabilità per eventuali lesioni o danni al prodotto che derivino da:

- montaggio o collegamento non corretti, compresa la sovratensione
- manutenzione o uso non corretti di ricambi diversi da quelli originali forniti dal produttore
- modifiche al prodotto senza esplicita autorizzazione del produttore
- impiego per fini diversi rispetto a quelli descritti nel presente manuale

Dometic si riserva il diritto di modificare l'aspetto e le specifiche del prodotto.

## 5 Descrizione tecnica

La telecamera per la retromarcia e la telecamera panoramica (**solo** CAM35 TWIN) sono alloggiata in una console per la luce di arresto. L'immagine della telecamera viene trasmessa a un monitor attraverso un cavo del sistema. La CAM35 è adatta anche per il collegamento al sistema di navigazione originale Uconnect per Fiat, poiché le telecamere mettono a disposizione un segnale video NTSC.

La telecamera è costituita inoltre dai seguenti elementi:

N. in fig. 8, pagina 5	Denominazione
1	Telecamera per la retromarcia
2	Telecamera panoramica ( <b>solo</b> CAM35 TWIN)
3	Cavo di collegamento a 6 poli per telecamera panoramica ( <b>solo</b> CAM35 TWIN)
4	Cavo di collegamento a 6 poli per telecamera per la retromarcia

### Solo per CAM35 TWIN

Per la CAM35 TWIN è necessario collegare un monitor con due ingressi video che può essere commutato fra l'immagine della telecamera per la retromarcia e quella panoramica.

La telecamera panoramica trasmette l'immagine come se l'utente guardasse nello specchietto retrovisore.

### Solo per CAM35 NAV

Le telecamere CAM35 REAR NAV e CAM35 TWIN NAV possono essere collegate a monitor di altri produttori. In dotazione è disponibile un adattatore universale (adattatore NAV per CAM35).

## 6 Montaggio della telecamera

### 6.1 Smontaggio della luce di arresto

1. Allentare le due viti della luce di arresto (fig. **9**, pagina 5).
2. Estrarre la spina della luce di arresto (fig. **10**, pagina 6).

### 6.2 Posa dei cavi



#### **AVVISO! Pericolo di danni!**

- Prima di effettuare dei fori, assicurarsi che ci sia spazio sufficiente per l'uscita della punta da trapano.
- Pose e collegamenti dei cavi non eseguiti a regola d'arte, portano a continui malfunzionamenti o danni degli elementi costruttivi. Un'esecuzione corretta della posa e del collegamento dei cavi rappresenta il presupposto essenziale per un funzionamento duraturo e corretto dei componenti dell'equipaggiamento ausiliario.
- I cavi non devono venire in contatto per un periodo prolungato con solventi come ad es. benzina, poiché possono esserne danneggiati.

Osservare perciò le seguenti indicazioni:

- Per il passaggio del cavo di collegamento impiegare, a seconda delle possibilità, canaline originali o altri tipi di aperture, ad es. spigoli dei pannelli interni, griglie di aerazione oppure interruttori finti. Se non vi sono aperture disponibili, occorre realizzare di volta in volta fori adatti per i vari cavi. Verificare prima che vi sia uno spazio sufficiente per l'uscita del trapano.
- Quando è possibile, posare i cavi sempre all'interno del veicolo perché qui sono più protetti che al suo esterno. Se tuttavia i cavi devono essere posati all'esterno del veicolo, assicurarsi che siano fissati in modo sicuro (mediante fascette serracavi supplementari, nastro isolante e simili).
- Per evitare danni al cavo, nel posarlo fare in modo che vi sia sempre una distanza sufficiente da parti surriscaldate e rotanti del veicolo (tubi di scarico, alberi motore, alternatore, ventola, riscaldamento e simili). Per proteggere le parti meccaniche utilizzare un tubo ondulato o materiali di protezione simili.
- Per proteggere dalla penetrazione d'acqua, avvitare i collegamenti a spina dei cavi di collegamento (fig. **14**, pagina 7).

- Durante la posa dei cavi assicurarsi che essi
    - non vengano torti o piegati eccessivamente
    - non sfreghino contro spigoli
    - non vengano posati in canaline con spigoli vivi e senza protezione
  - Fissare il cavo in modo sicuro nel veicolo per evitare che si impigli (pericolo di ribaltamento). Questa situazione si può verificare se si utilizzano fascette serracavi, nastro isolante o adesivi.
- Posare il cavo del sistema.

### 6.3 Allacciamento elettrico della telecamera



#### NOTA

- Posare il cavo della telecamera in modo tale da arrivare senza difficoltà alla connessione a spina fra la telecamera e il cavo di prolunga, nel caso in cui si debba eventualmente smontare la telecamera. Lo smontaggio viene in questo modo notevolmente facilitato.
- Per ridurre al minimo il grado di corrosione nella spina, consigliamo di spalmare su una delle spine uno strato di grasso, ad es. grasso per poli della batteria.

1. Far passare la spina della luce di arresto attraverso la console.
2. Inserire di nuovo la spina (fig. **11** 1, pagina 6) nella luce di arresto.
3. Collegare la telecamera, come indicato nella fig. **12**, pagina 7 a fig. **14**, pagina 7.

Legenda per fig. **12**, pagina 7 e fig. **13**, pagina 7:

N.	Denominazione
1	Cavo di collegamento a 6 poli per telecamera per la retromarcia
2	Adattatore Y per telecamera
3	Monitor
4	Adattatore Y per monitor
5	Cavo di sistema
6	Cavo di collegamento a 6 poli per telecamera panoramica ( <b>solo</b> CAM35 TWIN)
7	Adattatore NAV ( <b>solo</b> CAM35 NAV)
ws	bianco, segnale video 1

N.	Denominazione
ge	giallo, segnale video 2
sw	nero
rt	rosso

## 6.4 Montaggio della telecamera



### AVVISO!

Assicurarsi che i cavi della telecamera passino attraverso il lato inferiore della console fino ai disinnesti, per evitare che i cavi vengano schiacciati.

Procedere come segue (fig. 15, pagina 8):

- Fissare la luce di arresto e la console con due viti di fissaggio 6 x 25 mm.

## 7 Cura e pulizia della telecamera



### AVVISO! Pericolo di danni!

Per la pulizia non impiegare detergenti corrosivi o oggetti ruvidi perché potrebbero provocare danni all'apparecchio.

- Pulire la telecamera di tanto in tanto con un panno morbido umido.

## 8 Garanzia

Vale il termine di garanzia previsto dalla legge. Qualora il prodotto risultasse difettoso, La preghiamo di rivolgersi alla filiale del produttore del suo Paese (vedi [dometic.com/dealer](http://dometic.com/dealer)), oppure al rivenditore specializzato di riferimento.

Per la riparazione o il disbrigo delle condizioni di garanzia è necessario inviare quanto segue:

- i componenti difettosi,
- una copia della fattura con la data di acquisto del prodotto,
- un motivo su cui fondare il reclamo, oppure una descrizione del guasto.

## 9 Smaltimento

- Raccogliere il materiale di imballaggio possibilmente negli appositi contenitori di riciclaggio.



Quando il prodotto viene messo fuori servizio definitivamente, informarsi al centro di riciclaggio più vicino, oppure presso il proprio rivenditore specializzato, sulle prescrizioni adeguate concernenti lo smaltimento.

## 10 Specifiche tecniche

	<b>PerfectView CAM 35 REAR</b>	<b>PerfectView CAM 35 REAR NAV</b>
N. art.:	9102000134	9102000133
Sensore di immagine:	1/4" CMOS	
Punti immagine:	ca. 345000 pixel	
Standard video:	NTSC	
Sensibilità:	1,5 Lux	
Angolo di visibilità:	ca. 150°/60° in diagonale	
Tensione di esercizio:	da 10 V <sub>---</sub> a 16 V <sub>---</sub>	
Consumo:	1 W	
Temperatura di esercizio:	da -30 °C a +70 °C	
Classe di protezione:	IP69k	
Resistenza alle vibrazioni:	10g	
Dimensioni L x A x P (con supporto):	80 x 30 x 33 mm	
Peso:	ca. 0,25 kg	



	<b>PerfectView CAM 35 TWIN</b>	<b>PerfectView CAM 35 TWIN NAV</b>
N. art.:	9102000132	9102000131
Sensore di immagine:	1/4" CMOS	
Punti immagine:	ca. 345000 pixel	
Standard video:	NTSC	
Sensibilità:	1,5 Lux	
Angolo di visibilità:	ca. 150°/60° in diagonale	
Tensione di esercizio:	da 10 V $\overline{---}$ a 16 V $\overline{---}$	
Consumo:	1 W	
Temperatura di esercizio:	da -30 °C a +70 °C	
Classe di protezione:	IP69k	
Resistenza alle vibrazioni:	10g	
Dimensioni L x A x P (con supporto):	80 x 30 x 33 mm	
Peso:	ca. 0,25 kg	

Lees alle instructies, richtlijnen en waarschuwingen in deze gebruiksaanwijzing en volg ze zorgvuldig op om ervoor te zorgen dat u het product te allen tijde op de juiste manier installeert, gebruikt en onderhoudt. Deze instructies MOETEN bij dit product bewaard worden.

Door het product te gebruiken, bevestigt u hierbij dat u alle instructies, richtlijnen en waarschuwingen zorgvuldig hebt gelezen en dat u de voorwaarden en condities zoals die hierin zijn beschreven begrijpt en accepteert. U gaat ermee akkoord dit product alleen te gebruiken voor het beoogde doel en de beoogde toepassing en in overeenstemming met de instructies, richtlijnen en waarschuwingen zoals beschreven in deze gebruiksaanwijzing en in overeenstemming met de geldende wet- en regelgeving. Het niet lezen en opvolgen van de hierin beschreven instructies en waarschuwingen kan leiden tot letsel voor uzelf en anderen, schade aan uw product of schade aan andere eigendommen in de omgeving. Deze gebruiksaanwijzing, met inbegrip van de instructies, richtlijnen en waarschuwingen, en de bijbehorende documentatie kan onderhevig zijn aan wijzigingen en updates. Actuele productinformatie vindt u op [documents.dometic.com](http://documents.dometic.com), [dometic.com](http://dometic.com).

## Inhoudsopgave

1	Verklaring van de symbolen . . . . .	74
2	Veiligheids- en montage-instructies . . . . .	75
3	Omvang van de levering . . . . .	77
4	Beoogd gebruik . . . . .	78
5	Technische beschrijving . . . . .	79
6	Camera monteren . . . . .	79
7	Camera onderhouden en reinigen . . . . .	82
8	Garantie . . . . .	82
9	Afvoer . . . . .	82
10	Technische gegevens . . . . .	83

## 1 Verklaring van de symbolen



### WAARSCHUWING!

**Veiligheidsaanwijzing** met betrekking tot een gevaarlijke situatie die kan leiden tot ernstig letsel of de dood, als deze niet wordt vermeden.



### LET OP!

Aanwijzing met betrekking tot een situatie die kan leiden tot materiële schade, als deze niet wordt vermeden.



### INSTRUCTIE

Meer informatie over de bediening van het product.

## 2 Veiligheids- en montage-instructies



### WAARSCHUWING!

Gevaar voor persoonlijke letsel door het voertuig.

Achteruitrijvideosystemen zijn een hulpmiddel bij het achteruitrijden, het ontslaat u echter **niet** van **de plicht bijzonder voorzichtig te zijn tijdens achteruitrijden**.

### Neem de veiligheidsinstructies en voorschriften van de fabrikant van het voertuig en het garagebedrijf in acht!

Neem de volgende instructies in acht:

- In verband met kortsluitingsgevaar moet voor werkzaamheden aan het elektrisch systeem van het voertuig altijd de minpool worden losgekoppeld.  
Bij voertuigen met een extra accu moet ook daar de minpool worden losgekoppeld.
- Ontoereikende leidingverbindingen kunnen tot gevolg hebben dat door kortsluiting
  - kabelbranden ontstaan,
  - de airbag wordt geactiveerd,
  - elektronische besturingsinrichtingen beschadigd worden,
  - elektrische functies uitvallen (knipperlicht, remlicht, claxon, contact, licht).
- Gebruik bij werkzaamheden aan de volgende leidingen alleen geïsoleerde kabelschoenen, stekkers en vlaksteker-kabelschoenen:
  - 30 (ingang van accu plus direct),
  - 15 (geschakelde plus, achter accu),
  - 31 (retourleiding vanaf accu, massa),
  - 58 (achteruitrijlicht).

Gebruik **geen** kroonsteentjes.

- Gebruik een krimptang voor het verbinden van de kabels.
- Schroef de kabel bij aansluitingen aan leiding 31 (massa)
  - met kabelschoen en getande ring aan een massaschroef van het voertuig of
  - met kabelschoen en plaatschroef aan de carrosserieplaat.

Let op een goede massaverbinding!

Bij het loskoppelen van de minpool van de accu verliezen alle vluchtige geheugens van de elektronica voor comfortvoorzieningen de opgeslagen data.

- De volgende data moet u afhankelijk van de voertuiguitrusting opnieuw instellen:
  - radiocode
  - voertuigklok
  - tijdschakelklok
  - boordcomputer
  - stoelinstelling

Instructies voor het instellen vindt u in de betreffende gebruiksaanwijzing.

Neem bij de montage de volgende aanwijzingen in acht:

- Bevestig de in het voertuig gemonteerde onderdelen van de camera zodanig dat ze in geen geval (hard remmen, verkeersongeval) los kunnen raken en tot **verwondingen bij de inzittenden van het voertuig** kunnen leiden.
- Bevestig onderdelen die afgedekt onder bekledingen moeten worden aangebracht zodanig, dat ze niet losraken of andere onderdelen en leidingen beschadigen en geen functies van het voertuig (besturing, pedalen etc.) kunnen beperken.
- Let er bij het boren op dat er ook achter het te doorboren oppervlak genoeg ruimte is voor de boor, zo kunt u schade voorkomen.
- Ontbraam elk boorgat en behandel de boorgaten met antiroestmiddel.
- Neem altijd de veiligheidsinstructies van de fabrikant van het voertuig in acht. Een aantal werkzaamheden (bijv. aan beveiligingssystemen zoals AIRBAG etc.) mogen alleen door geschoolde vaklui uitgevoerd worden.

Neem bij werkzaamheden aan elektrische onderdelen de volgende instructies in acht:

- Gebruik voor het controleren van de spanning in elektrische leidingen alleen een diodetestlamp of een voltmeter.  
Testlampen met een lampbehuizing gebruiken te veel stroom, hierdoor kan de elektronica in het voertuig worden beschadigd.
- Let er bij het leggen van de elektrische aansluitingen op dat deze
  - niet worden geknikt of verdraaid,
  - niet langs randen schuren,
  - niet zonder bescherming door doorvoeren met scherpe randen worden gelegd (afb. **1**, pagina 3).
- Isoleer alle verbindingen en aansluitingen.

- Borg de kabels tegen mechanische belasting met kabelverbinders of isolatieband, bijv. aan de aanwezige leidingen.

De camera is waterdicht. De afdichtingen van de camera beschermen echter niet tegen een hogedrukreiniger (afb. **2**, pagina 3). Neem daarom de volgende instructies voor de omgang met de camera in acht:

- Personen (ook kinderen) die door hun fysieke, sensorische of geestelijke vaardigheden, of hun onervarenheid of onwetendheid niet in staat zijn om het product veilig te gebruiken, mogen dit niet zonder toezicht of instructie door een verantwoordelijke persoon doen.
- Open de camera niet, aangezien hierdoor de dichtheid en werking van de camera beperkt kunnen worden (afb. **3**, pagina 3).
- Trek niet aan de kabels, aangezien hierdoor de dichtheid en werking van de camera beperkt kunnen worden (afb. **4**, pagina 3).
- De camera is niet voor gebruik onder water geschikt (afb. **5**, pagina 3).

### 3 Omvang van de levering

Nr. in afb. <b>6</b> , pagina 4	Hoe- veelheid	Omschrijving	Artikelnr.
1	1	Camera CAM35 CAM35 REAR CAM35 REAR NAV CAM35 TWIN CAM35 TWIN NAV	 9102000134 9102000133 9102000132 9102000131
2	1	Afdichting	–
3	1	CAM35 Y-adapter CAM	9600000552
4	1	CAM35 Y-adapter MON	9600000553
5	1	Systeemkabel	9600000137
–	1	NAV-adapter (alleen CAM35 REAR NAV of CAM35 TWIN NAV)	9600000554
–	2	Bevestigingsschroeven 6 x 25 mm	
–	–	Montagehandleiding en gebruiks- aanwijzing	

## 4 Beoogd gebruik

De dubbele camera CAM35 is vooral bedoeld voor gebruik in de voertuigen Fiat Ducato, Citroën Jumper, Peugeot Boxer vanaf modeljaar 2006 met enkel dak. De cameraconsole wordt tussen carrosserie en remlicht gemonteerd. De camera kan worden geïntegreerd in videosystemen die voor het waarnemen van het gebied rondom het voertuig vanuit de bestuurdersstoel dienen, bijv. bij het rangeren of parkeren.

Dit product is alleen geschikt voor het beoogde gebruik en de toepassing in overeenstemming met deze gebruiksaanwijzing.

Deze handleiding geeft informatie die nodig is voor een goede installatie en/of bediening van het product. Een slechte installatie en/of verkeerde bediening of onderhoud leidt tot onbevredigende prestaties en mogelijke storingen.

De fabrikant aanvaardt geen aansprakelijkheid voor letsel of schade aan het product die het gevolg is van:

- Onjuiste montage of aansluiting, inclusief te hoge spanning
- Onjuist onderhoud of gebruik van andere dan door de fabrikant geleverde originele reserveonderdelen
- Wijzigingen van het product zonder uitdrukkelijke toestemming van de fabrikant
- Gebruik voor andere doeleinden dan beschreven in deze handleiding

Dometic behoudt zich het recht voor om het uiterlijk en de specificaties van het product te wijzigen.

## 5 Technische beschrijving

De achteruitrijcamera en de afstandcamera (**alleen** CAM35 TWIN) zijn in een console voor het originele remlicht ondergebracht. Het camerabeeld wordt via een systeemkabel doorgegeven aan een monitor. De CAM35 is ook geschikt voor de aansluiting op het originele Fiat navigatiesysteem Uconnect, omdat de camera's een NTSC-videosignaal ter beschikking stellen.

De camera bestaat o.a. uit de volgende elementen:

Nr. in afb. <b>8</b> , pagina 5	Omschrijving
1	Achteruitrijcamera
2	Afstandcamera ( <b>alleen</b> CAM35 TWIN)
3	6-polige aansluitkabel voor afstandcamera ( <b>alleen</b> CAM35 TWIN)
4	6-polige aansluitkabel voor achteruitrijcamera

### Alleen voor CAM35 TWIN

Bij de CAM35 TWIN moet een monitor met twee videoingangen worden aangesloten, die tussen het beeld van de achteruitrij- en afstandcamera kan worden omgeschakeld.

De afstandcamera toont het beeld, alsof in een achteruitkijkspiegel wordt gekeken.

### Alleen voor CAM35 NAV

De camera's CAM35 REAR NAV en CAM35 TWIN NAV kunnen op monitors van andere fabrikanten worden aangesloten. Een universele adapter (CAM35 NAV-adapter) wordt meegeleverd.

## 6 Camera monteren

### 6.1 Remlicht demonteren

1. Maak de twee schroeven van het remlicht los (afb. **9**, pagina 5).
2. Trek de trekker van het remlicht eraf (afb. **10**, pagina 6).

## 6.2 Kabels aanleggen



### LET OP! Gevaar voor beschadiging!

- Bij het boren van gaten altijd van tevoren controleren of er voldoende ruimte is voor de boor aan de achterkant.
- Het niet-vakkundig aanleggen of verbinden van kabels leidt steeds weer tot storingen of beschadigingen van onderdelen. Het correct aanleggen en verbinden van kabels is een voorwaarde voor een duurzame en storingsvrije werking van de later aangebouwde componenten.
- De kabels mogen niet voor langere tijd met oplosmiddelen zoals bijv. benzine in aanraking komen, omdat oplosmiddelen de kabels beschadigen.

Neem daarom de volgende instructies in acht:

- Gebruik voor de doorvoer van de aansluitkabels indien mogelijk originele doorvoeren of andere doorvoermogelijkheden, zoals bekledingsranden, ventilatieroosters of blinde schakelaars. Indien er geen doorvoeren aanwezig zijn, dient u voor de betreffende kabels bijbehorende gaten te boren. Controleer van tevoren of er voldoende ruimte is voor de boor aan de achterkant.
  - Leg de kabels indien mogelijk altijd binnen in het voertuig aan, want daar zijn ze beter beschermd dan aan de buitenkant van het voertuig. Indien u de kabels toch aan de buitenkant van het voertuig aanlegt, let dan op een veilige bevestiging (door extra kabelverbinders, isolatieband e.d.).
  - Houd bij het aanleggen van de kabels altijd voldoende afstand tot hete en bewegende voertuigonderdelen (uitlaatpijpen, aandrijfassen, dynamo, ventilatoren, verwarming e.d.), om beschadigingen aan de kabel te voorkomen. Gebruik voor de mechanische bescherming ribbelbuis of soortgelijke beschermingsmaterialen.
  - Schroef de steekverbindingen van de verbindingskabels ter bescherming tegen het binnendringen van water vast (afb. 14, pagina 7).
  - Let er bij het leggen van de kabels op dat deze
    - niet te sterk worden geknikt of verdraaid,
    - niet langs randen schuren,
    - niet zonder bescherming door openingen met scherpe kanten worden gelegd.
  - Bevestig de kabel veilig in het voertuig om verstrikken (gevaar om te vallen) te vermijden. Dit kan gebeuren door kabelbinders, isolatieband of door vastplakken met lijm.
- Monteer de syteemkabel.



### 6.3 Camera elektrisch aansluiten



#### INSTRUCTIE

- Plaats de camerakabel zodanig, dat u bij een eventueel noodzakelijke uitbouw van de camera makkelijk bij de stekerverbinding tussen camera en verlengkabel kunt komen. De demontage wordt daardoor aanzienlijk vereenvoudigd.
- Om corrosie in de stekker te minimaliseren, adviseren wij om een beetje vet, bijv. poolvet, in een van de stekkers aan te brengen.

1. Leid de stekker van het remlicht door de console.
2. Steek de stekker (afb. **11** 1, pagina 6) van het remlicht weer op het remlicht.
3. Sluit de camera aan, zoals in afb. **12**, pagina 7 tot afb. **14**, pagina 7 afgebeeld.  
Legenda bij afb. **12**, pagina 7 en afb. **13**, pagina 7:

Nr.	Aanduiding
1	6-polige aansluitkabel voor achteruitrijcamera
2	Y-adapter camera
3	Monitor
4	Y-adapter monitor
5	Systeemkabel
6	6-polige aansluitkabel voor afstandcamera ( <b>alleen</b> CAM35 TWIN)
7	NAV-adapter ( <b>alleen</b> CAM35 NAV)
ws	wit, videosignaal 1
ge	geel, videosignaal 2
sw	zwart
rt	rood

## 6.4 Camera monteren

**LET OP!**

Leid de camerakabel in de onderzijde van de console tot de uitsparingen, zodat de kabel niet geknikt wordt.

Ga als volgt te werk (afb. **15**, pagina 8):

- Bevestig het remlicht en de console met de twee bevestigingsschroeven 6 x 25 mm.

## 7 Camera onderhouden en reinigen

**LET OP! Gevaar voor beschadiging!**

Voor het reinigen geen scherpe of bijtende middelen gebruiken, omdat dit kan leiden tot schade aan het toestel.

- Reinig de camera af en toe met een zachte, vochtige doek.

## 8 Garantie

De wettelijke garantieperiode is van toepassing. Als het product defect is, wendt u zich tot het filiaal van de fabrikant in uw land (zie [dometic.com/dealer](http://dometic.com/dealer)) of tot uw speciaalzaak.

Voor de afhandeling van de reparatie of garantie dient u het volgende mee op te sturen:

- defecte onderdelen,
- een kopie van de factuur met datum van aankoop,
- reden van de klacht of een beschrijving van de storing.

## 9 Afvoer

- Laat het verpakkingsmateriaal indien mogelijk recyclen.



Als u het product definitief buiten bedrijf stelt, informeer dan bij het dichtstbijzijnde recyclingcentrum of uw speciaalzaak naar de betreffende afvoervoorschriften.

## 10 Technische gegevens

	<b>PerfectView CAM 35 REAR</b>	<b>PerfectView CAM 35 REAR NAV</b>
Artikelnr.:	9102000134	9102000133
Beeldsensor:	1/4" CMOS	
Beeldpunten:	ca. 345.000 pixels	
Videostandaard:	NTSC	
Gevoeligheid:	1,5 lux	
Gezichtshoek:	ca. 150°/60° diagonaal	
Bedrijfsspanning:	10 V $\overline{=}$ tot 16 V $\overline{=}$	
Verbruik:	1 W	
Bedrijfstemperatuur:	-30 °C tot +70 °C	
Beschermklasse:	IP69k	
Trillingsvastheid:	10g	
Afmetingen b x h x d (met houder):	80 x 30 x 33 mm	
Gewicht:	ca. 0,25 kg	

	<b>PerfectView CAM 35 TWIN</b>	<b>PerfectView CAM 35 TWIN NAV</b>
Artikelnr.:	9102000132	9102000131
Beeldsensor:	1/4" CMOS	
Beeldpunten:	ca. 345.000 pixels	
Videostandaard:	NTSC	
Gevoeligheid:	1,5 lux	
Gezichtshoek:	ca. 150°/60° diagonaal	
Bedrijfsspanning:	10 V $\overline{=}$ tot 16 V $\overline{=}$	
Verbruik:	1 W	
Bedrijfstemperatuur:	-30 °C tot +70 °C	
Beschermklasse:	IP69k	
Trillingsvastheid:	10g	
Afmetingen b x h x d (met houder):	80 x 30 x 33 mm	
Gewicht:	ca. 0,25 kg	

Læs og følg alle disse anvisninger, retningslinjer og advarsler i denne produktvejledning grundigt for at sikre, at du altid installerer, bruger og vedligeholder produktet korrekt. Disse anvisninger SKAL opbevares sammen med dette produkt.

Ved at benytte produktet bekræfter du hermed, at du har læst alle anvisninger, retningslinjer og advarsler grundigt, og at du forstår og er indforstået med de vilkår og betingelser, der er fastlagt heri. Du er indforstået med kun at bruge dette produkt til det beregnede formål og anvendelse i overensstemmelse med anvisningerne, retningslinjerne og advarslerne i denne produktvejledning samt i overensstemmelse med alle de gældende love og forskrifter. Manglende læsning og ignorering af disse anvisninger og advarsler kan medføre kvæstelser på dig selv og andre, skade på dit produkt eller skade på anden ejendom i nærheden. Der tages forbehold for eventuelle ændringer og opdateringer af denne produktvejledning samt anvisningerne, retningslinjerne og advarslerne samt den tilhørende dokumentation. Se [documents.dometic.com](http://documents.dometic.com), [dometic.com](http://dometic.com) for de nyeste produktinformationer.

## Indholdsfortegnelse

1	Forklaring af symboler . . . . .	85
2	Sikkerheds- og installationshenvisninger . . . . .	86
3	Leveringsomfang . . . . .	88
4	Korrekt brug . . . . .	89
5	Teknisk beskrivelse . . . . .	89
6	Montering af kameraet . . . . .	90
7	Vedligeholdelse og rengøring af kameraet . . . . .	92
8	Garanti . . . . .	93
9	Bortskaffelse . . . . .	93
10	Tekniske data . . . . .	93

## 1 Forklaring af symboler



### ADVARSEL!

**Sikkerhedshenvisning** til en farlig situation, der kan medføre død eller alvorlige kvæstelser, hvis den ikke undgås.



### VIGTIGT!

Henvisning til en situation, der kan medføre materielle skader, hvis den ikke undgås.



### BEMÆRK

Supplerende informationer om betjening af produktet.

## 2 Sikkerheds- og installationshenvisninger



### ADVARSEL!

Fare for personskader på grund af køretøjet.

Bakkamerasystemer er en støtte, når der bakkedes, men de fritager dig

**ikke** fra **din pligt til at udvise særlig forsigtighed, når du bakker.**

### Overhold sikkerhedshenvisningerne og pålæggene, der er foreskrevet af køretøjsproducenten og af automobilbranchen!

Overhold følgende henvisninger:

- Afbryd på grund af faren for kortslutning altid minuspolen før arbejder på køretøjets el-system.  
Ved køretøjer med ekstra batteri skal du også afbryde minuspolen på dette batteri.
- Utilstrækkelige ledningsforbindelser kan føre til, at en kortslutning
  - fører til kabelbrand,
  - udløser airbaggen,
  - beskadiger elektroniske styreanordninger,
  - forårsager, at elektriske funktioner svigter (blinklys, bremselys, horn, tænding, lys).
- Anvend kun isolerede kabelsko, stik og fladstiksmuffer ved arbejder på følgende ledninger:
  - 30 (indgang på batteri plus direkte)
  - 15 (tilkoblet plus, bag batteri)
  - 31 (tilbageføring fra batteri, stel)
  - 58 (baklygte)Anvend **ikke** kronemuffer.
- Anvend en krympetang til at forbinde kablerne.
- Skru ved tilslutninger til ledning 31 (stel) kablet
  - på en køretøjsegnet stelskrue ved hjælp af kabelsko og tandskive eller
  - på karosseripladen ved hjælp af kabelsko og pladeskrue.

Sørg for god stelforbindelse!

Når batteriets minuspol afbrydes, mister alle komfortelektronikkens flygtige lagre de gemte data.

- Afhængigt af køretøjets udstyr skal du indstille følgende data igen:
  - Radiokode
  - Køretøjets ur
  - Kontaktur
  - Køretøjets computer
  - Sædeposition

Henvisninger til indstillingen findes i den pågældende betjeningsvejledning.

Overhold følgende henvisninger ved monteringen:

- Fastgør de dele af kameraet, der er monteret i køretøjet, så de under ingen omstændigheder (hård opbremsning, trafikuheld) kan løsne sig og føre til **kvæstelse af dem, der sidder** i køretøjet.
- Fastgør de af systemets dele, der skal monteres skjult under beklædningerne, så de ikke kan løsne sig, beskadige andre dele og ledninger og begrænse køretøjets funktioner (styring, pedaler osv.).
- For at undgå skader, når du borer, skal du sørge for tilstrækkeligt frirum, hvor boret kommer ud.
- Fjern grater fra hvert hul, og behandl dem med rustbeskyttelsesmiddel.
- Læs altid sikkerhedshenvisningerne fra køretøjets producent. Nogle arbejder (f.eks. på fastholdelsessystemer som AIRBAG osv.) må kun foretages af uddannet fagpersonale.

Overhold følgende henvisninger ved arbejde på elektriske dele:

- Anvend kun en diodeprøvelampe eller et voltmeter til spændingskontrol i elektriske ledninger. Testlamper med et lyselement optager for høj strøm. Derved kan køretøjets elektronik beskadiges.
- Når de elektriske tilslutninger etableres, skal det sikres, at de
  - ikke knækkes eller snos,
  - ikke skurer mod kanter,
  - ikke trækkes uden beskyttelse mod gennemføringer med skarpe kanter (fig. **1**, side 3).
- Isolér alle forbindelser og tilslutninger.
- Sørg for at sikre kablerne mod mekanisk belastning ved hjælp af kabelbindere eller isoleringsbånd, f.eks. på eksisterende ledninger.

Kameraet er vandtæt. Kameraets tætninger må dog ikke udsættes for en højtryksrensning (fig. **2**, side 3). Overhold derfor følgende henvisninger til omgang med kameraet:

- Personer (inkl. børn), der på grund af deres fysiske, sans- eller mentale evner eller deres uerfarenhed eller uvidenhed ikke er i stand til at anvende produktet sikkert, bør kun anvende dette produkt under en ansvarlig persons opsyn eller anvisning.
- Åbn ikke kameraet, da det reducerer dets tæthed og funktionsevne (fig. **3**, side 3).
- Træk ikke i kablerne, da det reducerer kameraets tæthed og funktionsevne (fig. **4**, side 3).
- Kameraet er ikke egnet til anvendelse under vand (fig. **5**, side 3).

### 3 Leveringsomfang

Nr. på fig. <b>6</b> , side 4	Mængde	Betegnelse	Artikel-nr.
1	1	Kamera CAM35 CAM35 REAR CAM35 REAR NAV CAM35 TWIN CAM35 TWIN NAV	 9102000134 9102000133 9102000132 9102000131
2	1	Tætning	–
3	1	CAM35 Y-adapter CAM	9600000552
4	1	CAM35 Y-adapter MON	9600000553
5	1	Systemkabel	9600000137
–	1	NAV-adapter (kun CAM35 REAR NAV eller CAM35 TWIN NAV)	9600000554
–	2	Fastgørelsesskruer 6 x 25 mm	
–	–	Monterings- og betjeningsvejledning	



## 4 Korrekt brug

Dobbeltkameraet CAM35 er primært tænkt til anvendelse i køretøjerne Fiat Ducato, Citroën Jumper, Peugeot Boxer fra årgang 2006 med enkelt tag. Kamerakonsollen monteres mellem karosseri og bremselygte. De kan anvendes i videosystemer, der anvendes til at iagttage området omkring køretøjet fra førersædet, f.eks. når der rangeres eller parkeres.

Dette produkt er kun egnet til dets beregnede formål og anvendelse i overensstemmelse med disse anvisninger.

Denne vejledning giver dig oplysninger om, hvad der er nødvendigt med henblik på en korrekt montering og/eller drift af produktet. Dårlig montering og/eller ukorrekt drift eller vedligeholdelse medfører utilstrækkelig ydeevne og mulige fejl.

Producenten påtager sig intet ansvar for kvæstelser eller skader i forbindelse med produktet, der skyldes:

- Ukorrekt samling eller forbindelse inklusive for høj spænding
- Ukorrekt vedligeholdelse eller brug af uoriginale reservedele, der ikke stammer fra producenten
- Ændringer på produktet uden udtrykkelig tilladelse fra producenten
- Brug til andre formål end dem, der er beskrevet i vejledningen

Dometic forbeholder sig ret til at ændre produktets udseende og produktspecifikationer.

## 5 Teknisk beskrivelse

Bakkameraet og fjernkameraet (**kun** CAM35 TWIN) er placeret i en konsol til den originale bremselygte. Kamerabilledet overføres til en monitor via et systemkabel. CAM35 egner sig også til tilslutning til det originale Fiat-navigationsystem Uconnect, da kameraerne sender et NTSC-videosignal.

Kameraet består bl.a. af følgende elementer:

Nr. på fig. 8, side 5	Betegnelse
1	Bakkamera
2	Fjernkamera ( <b>kun</b> CAM35 TWIN)
3	Tilslutningskabel med 6 ledere til fjernkamera ( <b>kun</b> CAM35 TWIN)
4	Tilslutningskabel med 6 ledere til bakkamera

## Kun til CAM35 TWIN

Ved CAM35 TWIN skal der tilsluttes en monitor med to videoindgange, der kan omstilles mellem billedet fra bak- og fjernkameraet.

Fjernkameraet sender billedet, som om du ser i bakspejlet.

## Kun til CAM35 NAV

Kameraerne CAM35REAR NAV og CAM35 TWIN NAV kan tilsluttes til monitorer fra andre producenter. Der er vedlagt en universaladapter (CAM35 NAV-adapter).

# 6 Montering af kameraet

## 6.1 Afmontering af bremselygten

1. Løsn de to skruer på bremselygten (fig. **9**, side 5).
2. Træk stikket på bremselygten ud (fig. **10**, side 6).

## 6.2 Trækning af kabler



### **VIGTIGT! Fare for beskadigelse!**

- Hvis du borer huller, skal du forinden kontrollere, om der er tilstrækkeligt frirum, hvor boret kommer ud.
- Kabelføringer og kabelforbindelser, der ikke er korrekte, fører igen og igen til fejlfunktioner ved eller beskadigelser på komponenter. En korrekt kabelføring og kabelforbindelse er grundforudsætningen for, at de monterede komponenter fungerer konstant og fejlfrit.
- Kablerne må ikke komme i berøring med opløsningsmidler, som f.eks. benzin, i længere tid, da opløsningsmidler ville beskadige kablerne.

Overhold derfor følgende henvisninger:

- Anvend originale gennemføringer eller andre gennemføringsmuligheder, f.eks. beklædningskanter, ventilationsgitter eller blindstik, til gennemføringen af tilslutningskablerne. Hvis der ikke findes gennemføringer, skal du bore huller til de pågældende kabler. Kontrollér først, om der er tilstrækkeligt frirum, hvor boret kommer ud.

- Hvis det er muligt, skal kablerne altid trækkes inde i køretøjet. Der er de bedre beskyttet end uden på køretøjet.  
Hvis du alligevel trækker kablerne uden på køretøjet, skal de fastgøres sikkert (med ekstra kabelbindere, isoleringsbånd osv.).
  - For at undgå, at kablet beskadiges, skal der altid være tilstrækkelig afstand til dele på køretøjet, der er varme eller bevæger sig (udstødningsrør, drivakslar, dynamo, ventilatorer, varmeapparater osv.). Anvend bølgerør eller lignende beskyttelsesmaterialer til mekanisk beskyttelse.
  - Skru forbindelseskabernes stikforbindelser sammen for at beskytte dem mod, at der trænger vand ind (fig. 14, side 7).
  - Når kablerne trækkes, skal det sikres, at de
    - ikke knækkes eller snos kraftigt,
    - ikke skurer mod kanter,
    - ikke trækkes uden beskyttelse mod gennemføringer med skarpe kanter.
  - Fastgør kablerne sikkert inde i køretøjet for at undgå at hænge fast (fare for at falde). Dette kan foretages ved at anvende kabelbindere, isoleringsbånd eller ved fastklæbning med klæbemiddel.
- Træk systemkablet.

### 6.3 Elektrisk tilslutning af kameraet



#### BEMÆRK

- Træk kamerakablet, så du nemt kan nå stikforbindelsen mellem kamera og forlænger-kabel, hvis det evt. bliver nødvendigt at afmontere kameraet. Afmonteringen gøres derved betydeligt enklere.
- Smør lidt fedt, f.eks. polfedt, i et af stikkene for at begrænse korrosion i stikket.

1. Før bremselygtens stik gennem konsollen.
  2. Stik igen bremselygtens stik (fig. 11 1, side 6) på bremselygten.
  3. Tilslut kameraet som vist på fig. 12, side 7 til fig. 14, side 7.
- Forklaring til fig. 12, side 7 og fig. 13, side 7:

Nr.	Betegnelse
1	Tilslutningskabel med 6 ledere til bakkamera
2	Y-adapter kamera
3	Monitor
4	Y-adapter monitor

Nr.	Betegnelse
5	Systemkabel
6	Tilslutningskabel med 6 ledere til fjernkamera ( <b>kun</b> CAM35 TWIN)
7	NAV-adapter ( <b>kun</b> CAM35 NAV)
ws	Hvid, videosignal 1
ge	Gul, videosignal 2
sw	Sort
rt	Rød

## 6.4 Montering af kameraet



### VIGTIGT!

Sørg for, at kamerakablerne i konsollens underside føres helt hen til udsparingerne, så kablerne ikke klemmes.

Gå frem på følgende måde (fig. 15, side 8):

- Fastgør bremselygten og konsollen med de to fastgørelsesskruerne 6 x 25 mm.

## 7 Vedligeholdelse og rengøring af kameraet



### VIGTIGT! Fare for beskadigelse!

Anvend ikke skarpe eller hårde midler til rengøring, da det kan beskadige apparatet.

- Rengør af og til kameraet med en blød, fugtig klud.

## 8 Garanti

Den lovbestemte garantiperiode gælder. Hvis produktet er defekt, skal du kontakte producentens afdeling i dit land (se [dometic.com/dealer](http://dometic.com/dealer)) eller din forhandler.

Ved reparation eller krav om garanti skal du indsende følgende:

- Defekte komponenter
- En kopi af regningen med købsdato
- En reklamationsgrund eller en fejlbeskrivelse

## 9 Bortskaffelse

► Bortskaf så vidt muligt emballagen sammen med det tilsvarende genbrugsaffald.



Hvis du tager produktet endegyldigt ud af drift, skal du kontakte det nærmeste recyclingcenter eller din faghandel for at få de pågældende forskrifter om bortskaffelse.

## 10 Tekniske data

	<b>PerfectView CAM 35 REAR</b>	<b>PerfectView CAM 35 REAR NAV</b>
Art.nr.:	9102000134	9102000133
Billedsensor:	1/4" CMOS	
Billedpunkter:	ca. 345000 pixel	
Videostandard:	NTSC	
Følsomhed:	1,5 lux	
Synsvinkel:	ca. 150°/60° diagonal	
Driftsspænding:	10 V <sub>DC</sub> til 16 V <sub>DC</sub>	
Forbrug:	1 W	
Driftstemperatur:	-30 °C til +70 °C	
Kapslingsklasse:	IP69k	
Vibrationsstyrke:	10g	

	<b>PerfectView CAM35 REAR</b>	<b>PerfectView CAM35 REAR NAV</b>
Mål B x H x D (med holder):	80 x 30 x 33 mm	
Vægt:	ca. 0,25 kg	

	<b>PerfectView CAM35 TWIN</b>	<b>PerfectView CAM35 TWIN NAV</b>
Art.nr.:	9102000132	9102000131
Billedsensor:	1/4" CMOS	
Billedpunkter:	ca. 345000 pixel	
Videostandard:	NTSC	
Følsomhed:	1,5 lux	
Synsvinkel:	ca. 150°/60° diagonal	
Driftsspænding:	10 V $\overline{=}$ til 16 V $\overline{=}$	
Forbrug:	1 W	
Driftstemperatur:	-30 °C til +70 °C	
Kapslingsklasse:	IP69k	
Vibrationsstyrke:	10g	
Mål B x H x D (med holder):	80 x 30 x 33 mm	
Vægt:	ca. 0,25 kg	

Läs och följ noggrant alla instruktioner, direktiv och varningar i den här produkthandboken för att säkerställa att du alltid installerar, använder och underhåller produkten på rätt sätt. Dessa instruktioner **MÅSTE** förvaras tillsammans med produkten.

Genom att använda produkten bekräftar du härmed att du noggrant har läst alla instruktioner, direktiv och varningar och att du förstår och är införstådd med att följa de villkor som anges här. Du är införstådd med att endast använda denna produkt i avsett syfte och i enlighet med instruktionerna, direktiven och varningarna som anges i denna produkthandbok samt i enlighet med alla gällande lagar och bestämmelser. Om du inte läser och följer instruktionerna och varningarna som anges här kan det leda till personskador på dig eller andra, på produkten eller annan egendom i närheten. Denna produkthandbok, inklusive instruktionerna, direktiven och varningarna samt relaterad information, kan ändras och uppdateras. För uppdaterad produktinformation, besök [documents.dometic.com](http://documents.dometic.com), [dometic.com](http://dometic.com).

## Innehållsförteckning

1	Förklaring av symboler . . . . .	95
2	Säkerhets- och monteringsanvisningar . . . . .	96
3	Leveransomfattning. . . . .	98
4	Ändamålsenlig användning . . . . .	99
5	Teknisk beskrivning. . . . .	99
6	Montera kameran . . . . .	100
7	Skötsel och rengöring av kameran. . . . .	102
8	Garanti. . . . .	102
9	Avfallshantering. . . . .	103
10	Tekniska data. . . . .	103

## 1 Förklaring av symboler



### **VARNING!**

**Säkerhetsanvisning** för en farlig situation som, om den inte går att undvika, kan ge upphov till dödsfall eller allvarliga personskador.



### **OBSERVERA!**

Anvisning för en situation som, om den inte går att undvika, kan ge upphov till materiella skador.



### **ANVISNING**

Kompletterande information om användning av produkten.

## 2 Säkerhets- och monteringsanvisningar



### **WARNING!**

Risk för fordonsrelaterade personsador.

Backvideosystem är till för att underlätta backningen, d.v.s. föraren måste **alltid** iakttä **största försiktighet under backningen**.

### **Beakta säkerhetsanvisningarna och riktlinjerna från fordonstillverkaren samt reglerna för bilmekaniska arbeten!**

Beakta följande:

- Koppla alltid från minuspolen i fordonets elsystem innan några arbeten utförs; annars finns risk för kortslutning.  
Om fordonet har ett extra batteri måste minuspolen kopplas bort även på detta.
- Ej korrekt utförda anslutningar kan leda till kortslutning, som
  - kan förorsaka kabelbrand,
  - kan utlösa krockkudden,
  - kan skada den elektroniska styrutrustningen,
  - kan leda till att elektriska komponenter slutar fungera (blinkers, bromsljus, signalhorn, tändning, lyse).
- Använd endast isolerade kabelskor, stickkontakter och flathylsor vid arbeten på nedanstående ledningar:
  - 30 (ingång från batteri plus direkt),
  - 15 (tändningsplus, efter batteriet),
  - 31 (ledning från batteriet, jord),
  - 58 (backljus).

Använd **inte** kopplingsklämmor.

- Använd en crimptång för att förbinda kablarna.
- Vid anslutningar till kabel 31 (jord), skruva fast
  - kabeln på en jordskruv i fordonet med kabelsko och tandbricka eller
  - på karosseriplåten med kabelsko och plåtskruv.

Se till att jordledningen har god kontakt!



När batteriets minuspol kopplas bort försvinner alla data ur komfortelektronikens flyktiga minnen.

- Beroende på fordonsutrustning måste följande data ställas in på nytt:
  - radiokod
  - klocka
  - tidur (timer)
  - fordonsdator
  - sätesposition

Inställningarna beskrivs i respektive bruksanvisning.

Beakta följande anvisningar vid monteringen:

- Fäst de delar till kameran som monteras inne i fordonet så att de inte kan lossna och **skada personerna i fordonet** (t.ex. vid kraftiga inbromsningar, trafikolyckor).
- Fäst de delar av systemet som monteras under täckplattor el. dyl. på så sätt att de inte kan lossna, eller skada andra delar och ledningar resp. störa några fordonsfunktioner (styrning, pedaler o.s.v.).
- Se till att det finns tillräckligt mycket plats för borrhålen så att inga delar skadas av misstag.
- Grada av borrhålen och behandla hålen med rostskyddsmedel.
- Beakta fordonstillverkarens säkerhetsanvisningar.  
Vissa arbeten (t.ex. på säkerhetsutrustningen, som AIRBAG o.s.v.) får endast utföras av behörigt fackfolk.

Beakta följande anvisningar vid arbeten på elsystemet:

- Använd endast en diod-testlampa eller en voltmeter för att testa spänningen i elkablar.  
Testlampor med andra ljuskällor förbrukar för mycket ström och kan på så sätt skada fordonets elsystem.
- Se till när elledning dras att
  - de inte böjs till eller vrids,
  - de inte skaver mot kanter,
  - skydd används om de dras genom genomföringar med vassa kanter (bild **1**, sida 3).
- Isolera alla kopplingar och anslutningar.
- Skydda kablarna mot mekanisk belastning genom kabelband eller isoleringsband, t.ex. på befintliga ledningar.

Kameran är vattentät. Kamerans tätningar tål dock inte en högtrycksvätt (bild **2**, sida 3). Beakta därför alltid nedanstående:

- Personer (och barn), som på grund av fysiska, sensoriska eller mentala funktionshinder eller på grund av oerfarenhet eller ovetande inte kan använda produkten på ett säkert sätt, bör inte använda denna produkt utan uppsikt eller hjälp av en ansvarig person.
- Öppna inte kameran, det kan inverka negativt på kamerans täthet och funktion (bild **3**, sida 3).
- Drag inte i kablarna, det kan inverka negativt på kamerans täthet och funktion (bild **4**, sida 3).
- Kameran får inte användas under vatten (bild **5**, sida 3).

### 3 Leveransomfattning

Nr på bild <b>6</b> , sida 4	Mängd	Beteckning	Artikelnr
1	1	Kamera CAM35 CAM35 REAR CAM35 REAR NAV CAM35 TWIN CAM35 TWIN NAV	9102000134 9102000133 9102000132 9102000131
2	1	Tätning	–
3	1	CAM35 Y-adapter CAM	9600000552
4	1	CAM35 Y-adapter MON	9600000553
5	1	Systemkabel	9600000137
–	1	NAV-adapter (bara CAM35 REAR NAV eller CAM35 TWIN NAV)	9600000554
–	2	Fästskruvar 6 x 25 mm	
–	–	Monterings- och bruksanvisning	

## 4 Ändamålsenlig användning

Dubbelkameran CAM35 är framför allt avsedd för användning i fordonen Fiat Ducato, Citroën Jumper, Peugeot Boxer från modell 2006 med enkelt tak. Kamera-konsolen monteras mellan karosseriet och bromsljuset. De kan användas tillsammans med videosystem för övervakning av området runt om fordonet, t.ex. vid parkering. Övervakningen sker direkt från förarstolen.

Den här produkten lämpar sig endast för avsedd användning i enlighet med denna bruksanvisning.

Den här manualen informerar om vad som krävs för att installera och/eller använda produkten på rätt sätt. Felaktig installation och/eller användning eller felaktigt underhåll kommer leda till att produkten inte fungerar optimalt och riskerar gå sönder.

Tillverkaren åtar sig inget ansvar för personskador eller materiella skador på produkten som uppstår till följd av:

- Felaktig montering eller anslutning, inklusive för hög spänning
- Felaktigt underhåll eller användning av reservdelar som inte är originaldelar från tillverkaren
- Ändringar som utförts utan uttryckligt medgivande från tillverkaren
- Användning för andra ändamål än de som beskrivs i denna bruksanvisning

Dometic förbehåller sig rätten att ändra produktens utseende och specifikationer.

## 5 Teknisk beskrivning

Backkameran och siktkameran (**bara** CAM35 TWIN) är monterade i konsolen för original bromsljuset. Kamerabilden överförs via en systemkabel till en monitor. CAM35 kan även anslutas till Fiats original navigationssystem Uconnect, eftersom kamerorna skickar en NTSC-videosignal.

Kameran består bland annat av följande delar:

Nr på bild <b>8</b> , sida 5	Beteckning
1	Backkamera
2	Siktkamera ( <b>bara</b> CAM35 TWIN)
3	6-Polig anslutningskabel för siktkameran ( <b>bara</b> CAM35 TWIN)
4	6-Polig anslutningskabel för backkameran

## Bara för CAM35 TWIN

På CAM35 TWIN måste man ansluta en monitor med två videoingångar, så att det går att koppla om mellan bilderna från back- och siktkameran.

Siktkameran visar bilden på samma sätt som det skulle se ut i backspeglIn.

## Bara för CAM35 NAV

Kamerorna CAM35 REAR NAV och CAM35 TWIN NAV kan anslutas till monitorer från andra tillverkare. En universaladapter (CAM35 NAV-adapter) medföljer.

# 6 Montera kameran

## 6.1 Demontera bromsljuset

1. Lossa de två skruvarna till bromsljuset (bild **9**, sida 5).
2. Dra ut kontakten till bromsljuset (bild **10**, sida 6).

## 6.2 Kabeldragning



### **OBSERVERA! Risk för skador!**

- När du borrar hål, kontrollera först att det finns tillräckligt mycket plats för borrarspetsen.
- Felaktig kabeldragning och kabelanslutning leder ofta till felaktiga funktioner eller skador på komponenterna. Korrekt kabeldragning och anslutning krävs för att komponenterna ska fungera felfritt under en lång tid.
- Kablarna får inte komma i kontakt med lösningsmedel, t.ex. bensin, under längre tid; lösningsmedel kan skada kablarna.

Beakta därför följande anvisningar:

- Använd om möjligt originalgenomföringar eller andra genomföringar som t.ex. fogar, ventilationsgaller eller oanvända anslutningar för anslutningskablarna. Om det inte finns lämpliga genomföringar måste man borra hål för kablarna. Kontrollera först att det finns tillräckligt mycket plats för borrarspetsen.
- Dra om möjligt alltid kablarna inne i fordonet, där de är bättre skyddade än på utsidan.  
Om kablarna dras på utsidan: Se till att de sätts fast ordentligt (med extra kabelband, isoleringsband etc).

- Drag inte kablarna tätt intill heta och/eller rörliga delar (avgasrör, drivaxlar, generator, fläkt, värmeaggregat etc.); kablarna kan skadas. Använd korrugerade rör eller liknande skyddsmaterial som mekaniskt skydd.
  - Skruva fast anslutningskablarnas kontakter för att skydda dem mot inträngande vatten (bild **14**, sida 7).
  - Observera, när kablarna dras, att
    - de inte böjs eller vrids för mycket,
    - de inte skaver mot kanter,
    - skydd används om de dras genom genomföringar med vassa kanter.
  - Fäst kablarna säkert i fordonet så att man inte kan fastna i dem. Använd t.ex. kabelband, isoleringsband eller lim.
- Dra systemkabeln.

### 6.3 Ansluta el till kameran



#### ANVISNING

- Dra kamerakabeln så att det blir lätt att komma åt kontakten kamera/förlängningskabel vid ev. demontering av kameran. Detta underlättar demonteringen.
- Som rostskydd för kontakterna rekommenderar vi att lite fett, t.ex. polfett, används i en av stickkontakterna.

1. Dra bromsljusets kontakt genom konsolen.
2. Sätt fast bromsljusets kontakt (bild **11** 1, sida 6) i bromsljuset igen.
3. Anslut kameran enligt beskrivningen bild **12**, sida 7 till bild **14**, sida 7.

Tabell till bild **12**, sida 7 och bild **13**, sida 7:

Nr	Beteckning
1	6-polig anslutningskabel för backkameran
2	Y-adapter för kamera
3	Monitor
4	Y-adapter för monitor
5	Systemkabel
6	6-polig anslutningskabel för sikt-kameran ( <b>bara</b> CAM35 TWIN)
7	NAV-adapter ( <b>bara</b> CAM35 NAV)
vi	Vit, videosignal 1

Nr	Beteckning
gu	Gul, videosignal 2
sv	Svart
rd	Röd

## 6.4 Montera kameran



### **OBSERVERA!**

Se till att kamerakabeln i konsolens undersida dras till hålen så att inte kabeln kläms.

Gör enligt på följande sätt (bild **15**, sida 8):

- Montera fast bromsljuset med de två fästskruvarna 6 x 25 mm.

## 7 Skötsel och rengöring av kameran



### **OBSERVERA! Risk för skador!**

Använd inte några vassa eller hårda rengöringsverktyg till rengöring eftersom apparaten kan skadas.

- Rengör kameran då och då med en mjuk, fuktig trasa.

## 8 Garanti

Den lagstadgade garantitiden gäller. Om produkten är defekt: kontakta tillverkarens kontor i ditt land (se [dometic.com/dealer](http://dometic.com/dealer)) eller återförsäljaren.

Vid reparations- resp. garantiärenden ska följande skickas med:

- defekta komponenter,
- en kopia på fakturan med inköpsdatum,
- en reklambeskrivning/felbeskrivning.

## 9 Avfallshantering

- Lämna om möjligt förpackningsmaterialet till återvinning.



När produkten slutgiltigt tas ur bruk: informera dig om gällande bestämmelser hos närmaste återvinningscentral eller hos återförsäljaren.

## 10 Tekniska data

	<b>PerfectView CAM 35 REAR</b>	<b>PerfectView CAM 35 REAR NAV</b>
Artikel-nr:	9102000134	9102000133
Bildsensor:	1/4" CMOS	
Bildpunkter:	ca 345000 pixlar	
Videostandard:	NTSC	
Känslighet:	1,5 lux	
Synvinkel:	ca 150°/60° diagonalt	
Driftspänning:	10 V $\pm$ bis 16 V $\pm$	
Förbrukning:	1 W	
Drifttemperatur:	-30 °C till +70 °C	
Skyddsklass:	IP69k	
Vibrationstålighet:	10g	
Mått B x H x D (med fäste):	80 x 30 x 33 mm	
Vikt:	ca 0,25 kg	

	<b>PerfectView CAM 35 TWIN</b>	<b>PerfectView CAM 35 TWIN NAV</b>
Artikel-nr:	9102000132	9102000131
Bildsensor:	1/4" CMOS	
Bildpunkter:	ca 345000 pixlar	
Videostandard:	NTSC	
Känslighet:	1,5 lux	
Synvinkel:	ca 150°/60° diagonalt	
Driftspänning:	10 V $\overline{=}$ bis 16 V $\overline{=}$	
Förbrukning:	1 W	
Drifttemperatur:	-30 °C till +70 °C	
Skyddsklass:	IP69k	
Vibrationstålighet:	10g	
Mått B x H x D (med fäste):	80 x 30 x 33 mm	
Vikt:	ca 0,25 kg	



Vennligst les disse instruksjonene nøye og følg alle instruksjoner, retningslinjer og advarsler som er inkludert i denne produktveiledningen for å sikre at du installerer, bruker og vedlikeholder produktet ordentlig til enhver tid. Disse instruksjonene MÅ følge med dette produktet.

Ved å bruke dette produktet bekrefter du at du har lest alle instruksjoner, retningslinjer og advarsler nøye, og at du forstår og aksepterer å overholde betingelsene og vilkårene slik de er presentert her. Du godtar å bruke dette produktet kun til tiltenkt formål og anvendelse, og i samsvar med instruksjonene, retningslinjene og advarslene slik de er presentert i denne produktveiledningen, så vel som i samsvar med alle gjeldende lovbestemmelser og forskrifter. Hvis instruksjonene og advarslene som er presentert her, ikke blir lest og fulgt, kan dette resultere i personskader hos deg selv eller andre, skade på produktet eller skade på annen eiendom i nærheten. Denne produktveiledningen, inkludert instruksjonene, retningslinjene og advarslene, samt relatert dokumentasjon, kan være underlagt endringer og oppdateringer. For oppdatert produktinformasjon, se [documents.dometic.com](https://documents.dometic.com), [dometic.com](https://dometic.com).

## Innholdsfortegnelse

1	Symbolforklaring . . . . .	105
2	Råd om sikkerhet og montering . . . . .	106
3	Leveringsomfang . . . . .	108
4	Tiltenkt bruk . . . . .	108
5	Teknisk beskrivelse . . . . .	109
6	Montering av kameraet . . . . .	110
7	Vedlikehold og rengjøring av kameraet . . . . .	112
8	Garanti . . . . .	112
9	Avfallshåndtering . . . . .	113
10	Tekniske spesifikasjoner . . . . .	113

## 1 Symbolforklaring



### ADVARSEL!

**Sikkerhetshenvisning** til en faresituasjon som kan føre til alvorlige personskader, eventuelt med døden til følge, dersom de ikke blir unngått.



### PASS PÅ!

Henvisning til en situasjon som kan føre til tingskader dersom den ikke blir unngått.



### MERK

Utfyllende informasjon om betjening av produktet.

## 2 Råd om sikkerhet og montering



### ADVARSEL!

Fare for personskader på grunn av kjøretøyet.

Videosystemer for rygging tilbyr en støtte når man rygger, det fritar deg likevel **ikke** fra **den spesielle varsomhetsplikten ved rygging**.

### Følg rådene og betingelsene som kjøretøyprodusenten og motorvognprodusenten har bestemt!

Følg disse rådene:

- På grunn av kortslutningsfaren må man alltid koble fra minuspolen før man utfører arbeid på kjøretøyets elektronikk.  
På kjøretøy med hjelpebatteri må man også koble fra minuspolen på dette.
- Feil på ledningsforbindelser kan føre til at det på grunn av kortslutning oppstår
  - kabelbrann,
  - at kollisjonsputen utløses,
  - at de elektroniske styreanordningene blir skadet,
  - at elektriske funksjoner faller ut (blinklys, bremselys, horn, tenning, lys).
- Bruk bare isolerte kabelsko, kontakter og flatstifhylser ved arbeide på de følgende kablene:
  - 30 (inngang fra batteriets pluss direkte),
  - 15 (koblet pluss, bak batteri),
  - 31 (tilbakeleder fra batteri, jord),
  - 58 (ryggelys).

**Ikke** bruk kabelklemmer.

- Bruk en krympetang for å forbinde kabelen.
- Skru fast kabelen ved tilkobling til ledning 31 (jord)
  - med kabelsko og låseskive til kjøretøyets jordkobling eller
  - med kabelsko og plateskrue til karosseriet.

Pass på at du har god jordforbindelse!

Ved frakobling av batterienes minuspol mister alle flyktige minner i komfortelektronikken de lagrede dataene.

- Følgende data må stilles inn på nytt, avhengig av kjøretøyets utrustning:
  - Radiokode
  - Kjøretøyur
  - Tidsur
  - Kjørecomputer
  - Sitteposisjon

Råd vedrørende innstilling finner du i relevant bruksanvisning.

Vær oppmerksom på følgende ved montering:

- Fest kameradelene som er montert i kjøretøyet, slik at de ikke under noen omstendighet (bråbremsing, trafikkuhell) løsner og **skader passasjerene**.
- Fest tilhørende deler skjult under paneler, slik at de ikke kan løsne eller skade andre deler og ledninger, og slik at de ikke påvirker kjøretøyets funksjon (styring, pedaler osv.).
- Pass på at det er tilstrekkelig ledig plass for utgangen av boret for å unngå skader.
- Fjern gradene på alle hull som bores, og behandle hullene med rustbeskyttelsesmiddel.
- Følg alltid sikkerhetsrådene fra kjøretøyprodusenten.  
Enkelte arbeider får bare utføres av utdannet fagpersonale (for eksempel på fastholdende systemer som AIRBAG osv.).

Vær oppmerksom på følgende ved arbeid på elektriske deler:

- Bruk kun en diodetestlampe eller et voltmeter til testing av spenningen i elektriske ledninger.  
Testlamper med et lyselement som forbruker for mye strøm kan skade kjøretøyelektronikken.
- Ved legging av elektriske tilkoblinger må du påse at de
  - ikke blir knekt eller deformert,
  - ikke gnis mot kanter,
  - ikke legges uten beskyttelse gjennom gjennomføringer som har skarpe kanter (fig. **1**, side 3).
- Isoler alle forbindelser og tilkoblinger.
- Sikre kablen mot mekanisk belastning med kabelinnføringer eller isolasjonsbånd, f.eks. på eksisterende ledninger.

Kameraet er vanntett. Tetningene i kameraet motstår ikke en høytrykkspumpe (fig. **2**, side 3). Vær derfor oppmerksom på følgende ved håndtering av kameraet:

- Personer (inklusive barn) som på grunn av sine fysiske, sensoriske eller mentale ferdigheter eller på grunn av sin uerfarenhet eller manglende kjennskap ikke er i stand til å bruke produktet på en sikker måte, må ikke bruke dette produktet uten oppsyn eller anvisning fra en ansvarlig person.
- Åpne ikke kameraet, da dette skader tettheten og funksjonsdyktigheten (fig. **3**, side 3).

- Trekk ikke i kablene, da dette skader tettheten og funksjonsdyktigheten for kameraet (fig. **4**, side 3).
- Kameraet er ikke egnet for drift under vann (fig. **5**, side 3).

### 3 Leveringsomfang

Nr. i fig. <b>6</b> , side 4	Antall	Betegnelse	Artikkelnr.
1	1	Kamera CAM35	
		CAM35 REAR	9102000134
		CAM35 REAR NAV	9102000133
		CAM35 TWIN	9102000132
		CAM35 TWIN NAV	9102000131
2	1	Tetting	–
3	1	CAM35 Y-adapter CAM	9600000552
4	1	CAM35 Y-adapter MON	9600000553
5	1	Systemkabel	9600000137
–	1	NAV-adapter (kun CAM35 REAR NAV eller CAM35 TWIN NAV)	9600000554
–	2	Festeskruer 6 x 25 mm	
–	–	Monterings- og bruksanvisning	

### 4 Tiltenkt bruk

Dobbeltkameraet CAM35 er fortrinnsvis ment for bruk i kjøretøyene Fiat Ducato, Citroën Jumper og Peugeot Boxer fra årsmodell 2006 med enkelt tak. Kamera-konsollen monteres mellom karosseri og bremselys. De kan brukes i videosystemer som brukes til å observere området rundt kjøretøyet fra førerstedet, f.eks. ved kryppkjøring eller parkering.

Dette produktet er kun egnet for det tiltenkte formålet og anvendelsen i samsvar med disse instruksjonene.

Denne håndboken gir informasjon som er nødvendig for en ordentlig installasjon og/eller drift av produktet. Dårlig installasjon og/eller upassende drift eller vedlikehold vil resultere i en utilfredsstillende ytelse og en mulig svikt.

Produsenten påtar seg intet ansvar for personskader eller materielle skader på produktet som følge av:

- Ikke korrekt montering eller tilkobling, inkludert for høy spenning
- Ikke korrekt vedlikehold eller bruk av reservedeler foruten de originale reservedelene som leveres av produsenten
- Endringer på produktet uten at det er gitt uttrykkelig godkjenning av produsenten
- Bruk til andre formål enn det som er beskrevet i denne håndboken

Dometic forbeholder seg rettigheten til å endre produktet ytre og produktspesifikasjoner.

## 5 Teknisk beskrivelse

Ryggekameraet og fjernområdekameraet (**bare** CAM 35 TWIN) er plassert i en konsoll for det originale bremselyset. Kamerabildet overføres via en systemkabel til en monitor. CAM 35 egner seg også for tilkobling til det originale Fiat-navigasjonssystemet Uconnect da kameraene har et NTSC-videosignal.

Kameraet består bl.a. av følgende deler:

Nr. i fig. 8, side 5	Beskrivelse
1	Ryggekamera
2	Fjernområdekamera ( <b>bare</b> CAM 35 TWIN)
3	6-Polet tilkoblingskabel for fjernområdekamera ( <b>bare</b> CAM 35 TWIN)
4	6-Polet tilkoblingskabel for ryggkamera

### Bare for CAM 35 TWIN

På CAM 35 TWIN må det tilkobles en monitor med to videoinganger som kan veksle mellom bildene fra ryggkameraet og fjernområdekameraet.

Fjernområdekameraet overfører bildet som om du skulle kikke i sladrespeilet.

### Bare for CAM 35 NAV

Kameraene CAM35REAR NAV og CAM35 TWIN NAV kan tilkobles til monitører fra andre produsenter. Det ligger ved en universaladapter (CAM35 NAV-adapter).

## 6 Montering av kameraet

### 6.1 Demontere bremselys

1. Løsne de to skruene på bremselyset (fig. **9**, side 5).
2. Trekk ut pluggen til bremselyset (fig. **10**, side 6).

### 6.2 Legging av kabel



#### **PASS PÅ! Fare for skade!**

- Kontroller på forhånd om det er nok plass til at boret kan komme ut, når du borer hull.
- Kabellegging og kabelforbindelser som ikke er utført fagmessig, fører ofte til feilfunksjoner eller skader på komponenter. Korrekt kabellegging hhv. kabelforbindelse er den viktigste forutsetningen for varig og feilfri funksjon til ettermonterte komponenter.
- Kabelen må ikke komme i kontakt med løsningsmidler som for eksempel bensin over lengre tid, da løsningsmiddelet kan skade kabelen.

Følg derfor disse rådene:

- For å føre gjennom tilkoblingskabelen bruker du originalgjennomføringer eller andre gjennomføringsmuligheter, som f.eks. panelkanter, luftegitter eller blindbryter. Hvis det ikke finnes noen gjennomføringer tilgjengelig, må du bore hull for de aktuelle kablene. Se etter på forhånd om det er nok plass til at boret kan komme ut.
- Legg alltid kabelen inne i kjøretøyet hvis det er mulig, der er de bedre beskyttet enn utenpå kjøretøyet. Hvis du likevel legger kablene utenpå kjøretøyet, må du sørge for at de festes sikkert (med ekstra kabelskjøtestykker, isolasjonsbånd osv.).
- Ved legging av kabel må du alltid holde tilstrekkelig avstand til varme og bevegelige deler på kjøretøyet (eksosrør, drivakslinger, dynamoer, vifter, oppvarming osv.) for å unngå skader på kabelen. Til mekanisk beskyttelse brukes bølgerør eller lignende beskyttelsesmaterialer.
- Skru fast kontaktforbindelsen til forbindelseskabelen for å hindre vanninntrengning (fig. **14**, side 7).

- Ved legging av kablene må du passe på at disse
    - Ikke blir knekt eller deformert,
    - ikke gnis mot kanter,
    - ikke legges uten beskyttelse gjennom gjennomføringer som har skarpe kanter.
  - Fest kabelen skikkelig i kjøretøyet for å unngå at noe hektes fast i den. Dette kan gjøres ved å bruke kabelstrips, isoleringstape eller fastliming.
- Legg systemkabelen.

### 6.3 Koble til kameraet elektrisk



#### MERK

- Legg kamerakabelen slik at det ved en evt. nødvendig demontering av kameraet er lett å komme til pluggforbindelsen mellom kamera og forlengelseskabel. På denne måten blir demonteringen betydelig enklere.
- For å minimere korrosjon i kontakten, smør inn litt fett, for eksempel polfett, inn i kontakten.

1. Før pluggen til bremselyset gjennom konsollen.
2. Sett pluggen (fig. **11**, 1, side 6) til bremselyset på bremselyset igjen.
3. Tilkoble kameraet som vist i fig. **12**, side 7 til fig. **14**, side 7.  
Billedtekst til fig. **12**, side 7 og fig. **13**, side 7:

Nr.	Betegnelse
1	6-polet tilkoblingskabel for ryggekamera
2	Y-adapter kamera
3	Monitor
4	Y-adapter monitor
5	Systemkabel
6	6-polet tilkoblingskabel for fjernområdekamera ( <b>bare</b> CAM 35 TWIN)
7	NAV-adapter ( <b>bare</b> CAM35 NAV)
hv	Hvit, videosignal 1
ge	Gul, videosignal 2

Nr.	Betegnelse
sw	Svart
rt	Rød

## 6.4 Montere kameraet



### PASS PÅ!

Pass på å føre kamerakablene på konsollens underside helt til åpningene, slik at kablene ikke klemmes.

Gå fram på følgende måte (fig. **15**, side 8):

- Fest bremselyset og konsollen med de to festeskruene 6 x 25 mm.

## 7 Vedlikehold og rengjøring av kameraet



### PASS PÅ! Fare for skade!

Bruk ikke skarpe eller harde hjelpemidler til rengjøring, da det kan skade apparatet.

- Rengjør kameraet av og til med en fuktig klut.

## 8 Garanti

Lovmessig garantitid gjelder. Hvis produktet skulle være defekt, kontakter du produsentens filial i ditt land (se [dometic.com/dealer](http://dometic.com/dealer)) eller til din faghandler.

Ved henvendelser vedrørende reparasjon eller garanti, må du sende med følgende:

- defekt komponenter,
- kopi av kvitteringen med kjøpsdato,
- årsak til reklamasjonen eller beskrivelse av feilen.



## 9 Avfallshåndtering

- Lever emballasje til resirkulering så langt det er mulig.



Når du tar produktet ut av drift for siste gang, må du sørge for å få informasjon om deponeringsforskrifter hos nærmeste resirkuleringsstasjon eller hos din faghandler.

## 10 Tekniske spesifikasjoner

	<b>PerfectView CAM 35 REAR</b>	<b>PerfectView CAM 35 REAR NAV</b>
Art.nr.:	9102000134	9102000133
Bildesensor:	1/4" CMOS	
Bildepunkter:	ca. 345 000 piksler	
Videostandard:	NTSC	
Følsomhet:	1,5 lux	
Synsvinkel:	ca. 150°/60° diagonalt	
Driftsspenning:	10 V <sub>DC</sub> til 16 V <sub>DC</sub>	
Forbruk:	1 W	
Driftstemperatur:	-30 °C til +70 °C	
Kapslingsgrad:	IP69k	
Vibrasjonsfasthet:	10g	
Mål B x H x D (med holder):	80 x 30 x 33 mm	
Vekt:	ca. 0,25 kg	

	<b>PerfectView CAM 35 TWIN</b>	<b>PerfectView CAM 35 TWIN NAV</b>
Art.nr.:	9102000132	9102000131
Bildesensor:	1/4" CMOS	
Bildepunkter:	ca. 345 000 piksler	
Videostandard:	NTSC	
Følsomhet:	1,5 lux	
Synsvinkel:	ca. 150°/60° diagonalt	
Driftsspenning:	10 V $\overline{=}$ til 16 V $\overline{=}$	
Forbruk:	1 W	
Driftstemperatur:	-30 °C til +70 °C	
Kapslingsgrad:	IP69k	
Vibrasjonsfasthet:	10g	
Mål B x H x D (med holder):	80 x 30 x 33 mm	
Vekt:	ca. 0,25 kg	

Lue nämä ohjeet huolellisesti ja noudata kaikkia tämän tuotteen käyttöohjeissa annettuja ohjeita, määräyksiä ja varoituksia. Näin varmistat, että tuotteen asennus, käyttö ja huolto sujuu aina oikein. Näiden ohjeiden TÄYTYY jäädä tuotteen yhteyteen.

Käyttämällä tuotetta vahvistat lukeneesi kaikki ohjeet, määräykset ja varoitukset huolellisesti ja että ymmärrät ja hyväksyt tässä annetut ehdot. Sitoudut käyttämään tuotetta ainoastaan sen käyttötarkoitukseen ja ilmoitetuissa käyttökohteissa ja noudattaen tässä tuotteen käyttöohjeessa annettuja ohjeita, määräyksiä ja varoituksia sekä voimassa olevia lakeja ja määräyksiä. Tässä annettujen ohjeiden ja varoitusten lukematta ja noudattamatta jättäminen voi johtaa omaan tai muiden loukkaantumiseen, tuotteen vaurioitumiseen tai muiden, ympärillä olevien esineiden vaurioitumiseen. Tähän tuotteen käyttöohjeeseen, ohjeisiin, määräyksiin ja varoituksiin sekä oheisdokumentteihin voidaan tehdä muutoksia ja niitä voidaan päivittää. Katso ajantasaiset tuotetiedot osoitteesta [documents.dometic.com](https://documents.dometic.com), [dometic.com](https://dometic.com).

## Sisällysluettelo

1	Symbolien selitykset . . . . .	115
2	Turvallisuus- ja kiinnitysohjeita . . . . .	116
3	Toimituskokonaisuus. . . . .	118
4	Käyttötarkoitus. . . . .	119
5	Tekninen kuvaus . . . . .	119
6	Kameran asentaminen. . . . .	120
7	Kameran hoito ja puhdistus . . . . .	122
8	Tuotevastuu. . . . .	122
9	Hävittäminen . . . . .	123
10	Tekniset tiedot. . . . .	123

## 1 Symbolien selitykset



### **VAROITUS!**

**Turvallisuusohje** koskien vaaratilannetta, joka voi johtaa kuolemaan tai vakavaan vammaan, jos tilannetta ei vältetä.



### **HUOMAUTUS!**

Ohje koskien tilannetta, joka voi johtaa esinevahinkoihin, jos sitä ei vältetä.



### **OHJE**

Tuotteen käyttöä koskevia lisätietoja.

## 2 Turvallisuus- ja kiinnitysohjeita



### **VAROITUS!**

Ajoneuvo voi aiheuttaa henkilövahinkoja.

Vaikka peruutusvideojärjestelmät avustavatkin kuljettajaa peruuttamisen yhteydessä, ne **eivät kuitenkaan vapauta kuljettajaa velvollisuudesta noudattaa erityistä varovaisuutta peruuttamisen aikana.**

### **Noudata ajoneuvovalmistajan ja autoalan ammattiipiirien antamia turvallisuusohjeita ja vaatimuksia!**

Noudata seuraavia ohjeita:

- Irrota akun miinusnapa oikosulkuvaaran takia aina ennen ajoneuvoelektroniikkaan liittyvien töiden aloittamista.  
Jos ajoneuvossa on lisäakku, myös sen miinusnapa täytyy irrottaa.
- Riittämättömät johtimet voivat aiheuttaa oikosulun, jonka takia
  - syntyy johtopaloja,
  - turvatyyny (airbag) laukeaa,
  - elektroniset ohjauslaitteistot vahingoittuvat,
  - sähköiset toiminnot lakkaavat toimimasta (vilkku, jarruvalo, äänimerkki, sytytys, valot).
- Käytä seuraavia johtimia koskevissa töissä vain eristettyjä kaapelikenkiä, pistokkeita ja abiko-liittimiä:
  - 30 (suora plus akusta),
  - 15 (kytketty plus, akun takana),
  - 31 (akun paluujohdin, maa),
  - 58 (peruutusvalo).

**Älä käytä** sokeripalaliittimiä.

- Käytä johtojen liittämiseen Abiko-pihtejä.
- Ruuvaa johto liittäessäsi johtimeen 31 (maa)
  - kaapelikengällä ja lukkoprikalla ajoneuvon omaan maadoitusruuviin tai
  - kaapelikengällä ja peltiruuvilla ajoneuvon koripeltiin.

Huolehdi hyvästä maadoituksesta!

Kun akun miinusnapa irrotetaan, kaikista mukavuuselektroniikan sähköisistä muisteista häviää niihin tallennetut tiedot.

- Aseta ajoneuvon varustelusta riippuen seuraavat tiedot uudelleen:
  - radiokoodi
  - ajoneuvokello
  - ajastinkello
  - ajoneuvotietokone
  - istuimen asento

Asetusohjeita löydät kustakin käyttöohjeesta.

Noudata asennuksessa seuraavia ohjeita:

- Kiinnitä kameran ajoneuvoon asennettavat osat siten, että ne eivät missään tapauksessa (äkkijarrutus, liikenneonnettomuus) irtoa ja johda **ajoneuvon matkustajien loukkaantumiseen**.
- Kiinnitä järjestelmän verhousten alle kiinnitettävät osat siten, että ne eivät voi irrota tai vahingoittaa muita osia ja johtimia tai haitata mitään ajoneuvon toimintoja (ohjaus, polkimet jne.).
- Huolehdi poratessasi siitä, että poran terällä on reiän takana riittävästi tilaa, jotta terä ei aiheuta vaurioita.
- Pyöristä kaikkien reikien reunat ja käsittele ne ruostesuoja-aineella.
- Noudata aina ajoneuvovalmistajan turvallisuusohjeita. Eräisiin työtehtäviin (esim. törmäyssuojajärjestelmiin kuten turvatyynyihin jne. liittyvät työtehtävät) saa ryhtyä vain tehtävän vaatiman koulutuksen saanut ammattihenkilöstö.

Noudata seuraavia ohjeita sähköisiin osiin liittyvissä töissä:

- Käytä sähköjohdinten jännitteen tarkastamiseen vain diodisähkökynnää tai volttimittaria. Loistelampulla toimivat sähkökynät ottavat liian paljon virtaa, mikä voi johtaa ajoneuvoelektroniikan vahingoittumiseen.
- Huolehdi ennen sähköjohtojen vetämistä siitä, että ne
  - eivät ole taitteella tai kierteellä,
  - eivät hankaa reunoihin,
  - eivät kulje suojaamattomina teräväreunaisista läpivientirei'istä (kuva **1**, sivulla 3).
- Eristä kaikki johtimet ja liitännät.
- Kiinnitä johdot mekaanisen kuormituksen estämiseksi johtokiinnittimillä tai eristysnauhalla, esim. ajoneuvossa jo oleviin johtoihin.

Kamera on vesitiivis. Kameran tiivisteet eivät kuitenkaan kestä puhdistusta korkeapainepesurin avulla (kuva **2**, sivulla 3). Noudata siksi seuraavia kameran käsittelyä koskevia ohjeita:

- Henkilöiden (mukaan lukien lapset), jotka eivät voi käyttää tuotetta turvallisesti fyysisten, sensoristen tai psyykkisten taitojensa takia tai kokemattomuuden tai tietämättömyyden vuoksi, ei tulisi käyttää tuotetta ilman valvontaa tai vastuullisen henkilön opastusta.
- Älä avaa kameraa, sillä tämä heikentää kameran tiiviyyttä ja toimintakykyä (kuva **3**, sivulla 3).
- Älä vedä johdoista, sillä tämä heikentää kameran tiiviyyttä ja toimintakykyä (kuva **4**, sivulla 3).
- Kamera ei sovellu vedenalaiseen käyttöön (kuva **5**, sivulla 3).

### 3 Toimituskokonaisuus

Nro kuva <b>6</b> , sivulla 4	Määrä	Nimitys	Tuotenro
1	1	Kamera CAM35 CAM35 REAR CAM35 REAR NAV CAM35 TWIN CAM35 TWIN NAV	9102000134 9102000133 9102000132 9102000131
2	1	Tiiviste	–
3	1	CAM35 Y-adapteri CAM	9600000552
4	1	CAM35 Y-adapteri MON	9600000553
5	1	Järjestelmäjohto	9600000137
–	1	NAV-adapteri (vain CAM35 REAR NAV tai CAM35 TWIN NAV)	9600000554
–	2	Kiinnitysruuvit 6 x 25 mm	
–	–	Asennus- ja käyttöohje	

## 4 Käyttötarkoitus

Kaksoiskamera CAM35 on suunniteltu käytettäväksi ensisijaisesti yksinkertaisella katolla varustetuissa ajoneuvoissa Fiat Ducato, Citroën Jumper, Peugeot Boxer vuosimallista 2006 alkaen. Kamerakonsolit asennetaan korin ja jarruvalon väliin. Niitä voi käyttää videojärjestelmissä, jotka on tarkoitettu ajoneuvon ympäristön tarkkailuun kuljettajan istuimelta, esim. ajoneuvoa käänneltäessä tai pysäköitäessä.

Tämä tuote soveltuu ainoastaan näissä ohjeissa ilmoitettuun käyttötarkoitukseen ja käyttökohteeseen.

Näistä ohjeista saat tuotteen asianmukaiseen asennukseen ja/tai käyttöön tarvittavat tiedot. Väärin tehdyn asennuksen ja/tai väärän käyttötavan tai vääränlaisen huollon seurauksena laite ei toimi tyydyttävästi, ja se saattaa mennä epäkuntoon.

Valmistaja ei ota vastuuta tapaturmista tai tuotevaurioista, jotka johtuvat seuraavista:

- Väärin tehty kokoaminen tai sähköliitäntä, ylijännite mukaan lukien
- Väärin tehty huolto tai muiden kuin valmistajalta saatavien alkuperäisten varaosien käyttö
- tuotteeseen ilman valmistajan nimenomaista lupaa tehdyt muutokset
- käyttö muuhun kuin tässä ohjeessa ilmoitettuun tarkoitukseen

Dometic pidättää itsellään oikeuden muutoksiin tuotteen ulkonäössä ja spesifikaatioissa.

## 5 Tekninen kuvaus

Peruutuskamera ja etäkamera (**vain** CAM35 TWIN) on sijoitettu alkuperäisen jarruvalon konsoliin. Kameran kuva välitetään monitoriin järjestelmäjohdon avulla. CAM35 sopii myös liitettäväksi alkuperäiseen Fiat-navigointijärjestelmään Uconnect, koska kamerat antavat NTSC-videosignaalia.

Kamera sisältää mun muassa seuraavat elementit:

Nro kuva <b>8</b> , sivulla <b>5</b>	Nimitys
1	Peruutuskamera
2	Etäkamera ( <b>vain</b> CAM35 TWIN)
3	6-Napainen liitäntäjohto etäkameraa varten ( <b>vain</b> CAM35 TWIN)
4	6-Napainen liitäntäjohto peruutuskameraa varten

## Vain CAM35 TWIN

CAM35 TWIN:iin täytyy liittää monitori, jossa on kaksi videotuloa, jotta näyttöön on mahdollista valita peruutus- ja etäkameran kuvat.

Etäkamera välittää kuvaa samoin kuin jos katsoisit peruutuspeiliin.

## Vain CAM35 NAV:

Kamerat CAM35 REAR NAV ja CAM35 TWIN NAV voidaan liittää muiden valmistajien monitoreihin. Mukana on yleisadapteri (CAM35 NAV-adapter).

# 6 Kameran asentaminen

## 6.1 Jarruvalon irrottaminen

1. Avaa jarruvalon kaksi ruuvia (kuva **9**, sivulla 5).
2. Vedä jarruvalon pistoke irti (kuva **10**, sivulla 6).

## 6.2 Johtojen vetäminen



### **HUOMAUTUS! Vaurioitumisvaara!**

- Varmista ennen mahdollisten reikien poraamista, että porausreiän takana on tarpeeksi tyhjää tilaa.
- Epäasianmukaiset johtosijoittelut ja -liitokset johtavat yhä uudelleen virhetoimintoihin ja rakenneosien vaurioitumiseen. Johtojen asianmukainen sijoittaminen ja liittäminen on varusteosien jatkuvan ja virheettömän toiminnan perusedellytys.
- Johdot eivät saa joutua pitkäaikaisesti kosketuksiin liuotinten kuten esim. bensiinin kanssa, sillä liuottimet vahingoittavat johtoja.

Noudata siksi seuraavia ohjeita:

- Pyri käyttämään liitäntäjohtojen asennuksen yhteydessä valmiina olevia läpivientejä tai muita läpivientimahdollisuuksia, kuten esim. verhouksen reunoja, tuuletusrilöitä tai puuttuvien kytkinten peitelevyjä. Jos läpivientipaikkoja ei ole, sinun täytyy porata kyseisiä johtoja vastaavat reiät. Varmista etukäteen, että porattavan reiän taustapuolella on riittävästi tilaa.
- Vedä johdot mahdollisuuksien mukaan aina ajoneuvon sisätiloihin, sillä siellä ne ovat paremmin suojassa kuin ajoneuvon ulkopuolella. Jos asennat kuitenkin johtoja ajoneuvon ulkopuolelle, huolehdi siitä että ne on kiinnitetty moitteettomasti paikalleen (lisäksi nippusiteillä, eristysnauhalla jne.).



- Johtojen vioittumisen välttämiseksi säilytä johtoja vetäessäsi aina riittävä etäisyys ajoneuvon kuumiin ja liikkuviin osiin (pakoputki, vetoakselit, laturi, tuuletin, lämmitin jne.). Käytä mekaaniseen suojaamiseen aaltoputkea tai vastaavanlaisia suojamateriaaleja.
  - Ruuvaa liitäntäjohdon pistokeliittimet kiinni estämään veden tunkeutuminen liitokseen (kuva **14**, sivulla 7).
  - Huolehdi ennen johtojen vetämistä siitä, että ne
    - eivät ole voimakkaasti taitteella tai kierteellä,
    - eivät hankaa reunoihin,
    - eivät kulje suojaamattomina teräväreunaisista rei'istä.
  - Kiinnitä johdot turvallisesti ajoneuvoon, jotta niihin ei voi tarttua kiinni (kaatumisvaara). Tähän tarkoitukseen voi käyttää nippusiteitä, eristysnauhaa tai liimaa.
- Vedä järjestelmäjohto.

### 6.3 Kameran liittäminen sähköisesti



#### OHJE

- Vedä kamerajohto siten, että kameran ja jatkojohdon pistoliitäntään pääsee helposti käsiksi, jos kamera täytyy mahdollisesti irrottaa. Asennuksen purkaminen helpottuu näin huomattavasti.
- Levitä toiselle pistokkeista hieman rasvaa, esim. naparasvaa, jotta pistokkeiden korrosio pysyisi mahdollisimman vähäisenä.

1. Vie jarruvalon pistoke konsolin läpi.
2. Yhdistä jarruvalon pistoke (kuva **11** 1, sivulla 6) takaisin jarruvaloon.
3. Liitä kamera kohtien kuva **12**, sivulla 7–kuva **14**, sivulla 7 esittämällä tavalla. Selite kohtiin kuva **12**, sivulla 7 ja kuva **13**, sivulla 7:

Nro	Nimitys
1	6-Napainen liitäntäjohto peruutuskameraa varten
2	Y-adapteri kamera
3	Monitori
4	Y-adapteri monitori
5	Järjestelmäjohto
6	6-Napainen liitäntäjohto etäkameraa varten ( <b>vain</b> CAM35 TWIN)
7	NAV-adapteri ( <b>vain</b> CAM35 NAV)

Nro	Nimitys
ws	valkoinen, videosignaali 1
ge	keltainen, videosignaali 2
sw	musta
rt	punainen

## 6.4 Kameran asentaminen



### HUOMAUTUS!

Huolehdi siitä, että vedät kamerajohdot konsolin alapuolella koloihin asti, jotta ne eivät joudu puristuksiin.

Menettele seuraavasti (kuva **15**, sivulla 8):

- Kiinnitä jarruvalo ja konsoli kahdella kiinnitysruuvilla 6 x 25 mm.

## 7 Kameran hoito ja puhdistus



### HUOMAUTUS! Vaurioitumisvaara!

Älä käytä puhdistamiseen teräviä tai kovia välineitä, koska tämä voi johtaa laitteen vahingoittumiseen.

- Puhdista kamera toisinaan pehmeällä, kostealla rievulla.

## 8 Tuotevastuu

Laitetta koskee lakisääteinen takuu-aika. Jos tuote sattuu olemaan viallinen, käänny maasi valmistajan toimipisteen puoleen (katso [dometic.com/dealer](http://dometic.com/dealer)) tai ota yhteyttä omaan ammattikauppiaseesi.

Korjaus- ja takuukäsittelyä varten lähetä mukana seuraavat:

- vialliset osat,
- kopio ostolaskusta, jossa näkyy ostopäivä,
- valitusperuste tai vikakuvaus.

## 9 Hävittäminen

- Vie pakkausmateriaali mahdollisuuksien mukaan vastaavan kierrätysjätteen joukkoon.



Jos poistat tuotteen lopullisesti käytöstä, pyydä tietoa sen hävittämistä koskevista määräyksistä lähimmästä kierrätyskeskuksesta tai ammattiliikkeestäsi.

## 10 Tekniset tiedot

	<b>PerfectView CAM 35 REAR</b>	<b>PerfectView CAM 35 REAR NAV</b>
Tuotenro:	9102000134	9102000133
Kuvakenno:	1/4" CMOS	
Kuvapisteitä:	n. 345.000 kuvapistettä	
Videostandardi:	NTSC	
Herkkyys:	1,5 Lux	
Kuvakulma:	noin 150°/60° kulmittain	
Käyttöjännite:	10 V <sub>DC</sub> ... 16 V <sub>DC</sub>	
Kulutus:	1 W	
Käyttölämpötila:	-30 °C ... +70 °C	
Kotelointiluokka:	IP69k	
Tärinänkesto:	10g	
Mitat L x K x S (pidikkeen kanssa):	80 x 30 x 33 mm	
Paino:	Noin 0,25 kg	

	<b>PerfectView CAM 35 TWIN</b>	<b>PerfectView CAM 35 TWIN NAV</b>
Tuotenro:	9102000132	9102000131
Kuvakenno:	1/4" CMOS	
Kuvapisteitä:	n. 345.000 kuvapistettä	
Videostandardi:	NTSC	
Herkkyys:	1,5 Lux	
Kuvakulma:	noin 150°/60° kulmittain	
Käyttöjännite:	10 V $\overline{=}$ ... 16 V $\overline{=}$	
Kulutus:	1 W	
Käyttölämpötila:	-30 °C ... +70 °C	
Kotelointiluokka:	IP69k	
Tärinänkesto:	10g	
Mitat L x K x S (pidikkeen kanssa):	80 x 30 x 33 mm	
Paino:	Noin 0,25 kg	

Пожалуйста, внимательно прочтите и соблюдайте все указания, рекомендации и предупреждения, содержащиеся в этом руководстве по использованию изделия, чтобы гарантировать правильную установку, использование и обслуживание изделия. Эта инструкция ДОЛЖНА оставаться вместе с этим изделием.

Используя изделие, вы тем самым подтверждаете, что внимательно прочитали все указания, рекомендации и предупреждения, а также, что вы понимаете и соглашаетесь соблюдать положения и условия, изложенные в настоящем документе. Вы соглашаетесь использовать это изделие только по прямому назначению и в соответствии с указаниями, рекомендациями и предупреждениями, изложенными в данном руководстве по использованию изделия, а также в соответствии со всеми применимыми законами и правилами. Несоблюдение указаний и предупреждений, изложенных в данном документе может привести к травмам вас и других лиц, повреждению вашего изделия или повреждению другого имущества, находящегося поблизости. Данное руководство по использованию изделия, включая указания, рекомендации и предупреждения, а также сопутствующую документацию, может подвергаться изменениям и обновлениям. Актуальную информацию о продукте можно найти на сайте [documents.dometic.com](http://documents.dometic.com), [dometic.com](http://dometic.com).

## Оглавление

1	Пояснение к символам . . . . .	125
2	Инструкции по технике безопасности и установке . . . . .	126
3	Комплект поставки . . . . .	128
4	Использование по назначению . . . . .	129
5	Техническое описание . . . . .	130
6	Монтаж камеры . . . . .	131
7	Уход и очистка камеры . . . . .	133
8	Гарантия . . . . .	133
9	Утилизация . . . . .	134
10	Технические данные . . . . .	134

## 1 Пояснение к символам



### **ПРЕДУПРЕЖДЕНИЕ!**

**Указание по технике безопасности**, указывающее на опасную ситуацию, которая может привести к смерти или серьезной травме, если ее не предотвратить.



### **ВНИМАНИЕ!**

Указание на ситуацию, которая может привести к материальному ущербу, если ее не предотвратить.

**УКАЗАНИЕ**

Дополнительная информация по управлению продуктом.

## 2 Инструкции по технике безопасности и установке

**ПРЕДУПРЕЖДЕНИЕ!**

Опасность нанесения автомобилем травм людям. Видеосистемы заднего обзора являются вспомогательным средством при движении задним ходом и **не освобождают вас от обязанности соблюдать повышенную осторожность при движении задним ходом.**

### **Соблюдайте инструкции по технике безопасности изготовителя автомобиля и правила техники безопасности, установленные в автомастерской!**

Соблюдайте следующие указания:

- Вследствие опасности короткого замыкания перед работами на электрической системе автомобиля всегда отсоединяйте клемму отрицательного полюса.  
В автомобилях с дополнительным аккумулятором необходимо также отсоединить клемму отрицательного полюса аккумулятора.
  - Неправильно присоединенные провода могут стать причиной короткого замыкания, которое приведет к
    - возгоранию кабелей,
    - срабатыванию надувной подушки безопасности,
    - повреждению электронных устройств управления,
    - выходу из строя электрических систем (указателей поворота, сигнала торможения, клаксона, зажигания, освещения).
  - Используйте при работах на следующих линиях только изолированные кабельные зажимы, штекеры и наружные штекеры:
    - 30 (вход положительного полюса батареи, прямой),
    - 15 (включенный положительный полюс, за аккумуляторной батареей),
    - 31 (обратная цепь от аккумуляторной батареи, корпус),
    - 58 (фара заднего хода).
- Не** используйте клеммные колодки.
- Для соединения кабелей используйте обжимные клещи.

- Привинтите кабель, если производится соединение к проводу 31 (корпус):
  - с помощью кабельного зажима и зубчатой пружинной шайбы к винту для соединения с корпусом, имеющемуся на автомобиле или
  - с помощью кабельного зажима и самонарезающего винта к листу кузова.Обеспечивайте хорошее соединение с корпусом!

При отсоединении клеммы отрицательного полюса аккумуляторной батареи все энергозависимые запоминающие устройства электроники систем комфорта теряют сохраненные в них данные.

- В зависимости от оснащения автомобиля, вам придется заново настроить следующие данные:
  - Код радиоприемника
  - Часы автомобиля
  - Таймер
  - Бортовой компьютер
  - Положение сидений

Указания по настройке приведены в соответствующей инструкции по эксплуатации.

При монтаже соблюдайте следующие указания:

- Закрепите устанавливаемые внутри автомобиля детали камеры так, чтобы они ни при каких условиях (резком торможении, аварии) не могли отсоединиться и **привести к травмам** пассажиров.
- Крепите скрытые, устанавливаемые под обшивкой детали системы так, чтобы они не могли отсоединиться или повредить другие детали и провода и нарушить функции автомобиля (рулевое управление, педали и т. п.).
- Во избежание повреждений при сверлении следите за достаточным свободным пространством для выхода сверла.
- Зачистите все отверстия и смажьте их антикоррозионным средством.
- Всегда соблюдайте указания изготовителя автомобиля по технике безопасности.

Некоторые работы (например, на системах безопасности, в т. ч. на надувных подушках безопасности) разрешается выполнять только обученному персоналу.

При работах на электрической системе соблюдайте следующие указания:

- Для проверки напряжения в электрических линиях используйте только диодную контрольную лампу или вольтметр.  
Контрольные лампы с нитью накала потребляют слишком большой ток, вследствие чего может быть повреждена электроника автомобиля.
- При прокладке электрических линий следите за тем, чтобы они
  - не перегибались и не скручивались,
  - не терлись о края,
  - не прокладывались без защиты через вводы, имеющие острые кромки (рис. **1**, стр. 3).
- Заизолируйте все линии и соединения.
- Предохраните кабели от механических нагрузок, зафиксировав их кабельными стяжками или изоляционной лентой, например, за имеющиеся линии.

Камера является водонепроницаемой. Но уплотнения камеры не выдерживают очистки высоким давлением (рис. **2**, стр. 3). Поэтому соблюдайте следующие указания по обращению с камерой:

- Лица (в том числе дети), которые в связи с ограниченными физическими, сенсорными или умственными способностями или с недостатком опыта или знаний не в состоянии пользоваться данным изделием, не должны использовать это изделие без присмотра или инструктажа ответственного лица.
- Не вскрывайте камеру, т. к. это отрицательно сказывается на герметичности и работоспособности (рис. **3**, стр. 3).
- Не тяните за кабели, т. к. это отрицательно сказывается на герметичности и работоспособности камеры (рис. **4**, стр. 3).
- Камера не предназначена для работы под водой (рис. **5**, стр. 3).

### 3 Комплект поставки

№ на рис. <b>6</b> , стр. 4	Кол-во	Наименование	Арт. №
1	1	Камера CAM35 CAM35 REAR CAM35 REAR NAV CAM35 TWIN CAM35 TWIN NAV	 9102000134 9102000133 9102000132 9102000131
2	1	Уплотнение	–



№ на рис. <b>6</b> , стр. 4	Кол-во	Наименование	Арт. №
3	1	Переходник CAM35 Y-Adapter CAM	9600000552
4	1	Переходник CAM35 Y-Adapter MON	9600000553
5	1	Системный кабель	9600000137
–	1	Переходник NAV (только для CAM35 REAR NAV или CAM35 TWIN NAV)	9600000554
–	2	Крепежные винты 6 x 25 мм	
–	–	Руководство по эксплуатации и монтажу	

## 4 Использование по назначению

Двойная камера CAM35 предназначена прежде всего для использования в автомобилях Fiat Ducato, Citroën Jumper, Peugeot Boxer (модельный год 2006 и выше) с простой крышей. Консоль камеры устанавливается между кузовом и фарой стоп сигнала. Камера может использоваться в видеосистемах, позволяющих водителю наблюдать за зоной вокруг автомобиля, например, при маневрировании или парковке.

Это изделие подходит только для использования по назначению и применения в соответствии с данной инструкцией.

В данной инструкции содержится информация, необходимая для правильного монтажа и/или эксплуатации изделия. Неправильный монтаж и/или ненадлежащая эксплуатация или техническое обслуживание приводят к неудовлетворительной работе и возможному отказу.

Изготовитель не несет ответственности за какие-либо травмы или повреждение продукта в результате следующих причин:

- Неправильная сборка или подключение, включая повышенное напряжение
- Неправильное техническое обслуживание или использование запасных частей, отличных от оригинальных запасных частей, предоставленных изготовителем
- Изменения в продукте, выполненные без однозначного разрешения изготовителя
- Использование в целях, отличных от указанных в данной инструкции

Компания Dometic оставляет за собой право изменять внешний вид и технические характеристики продукта.

## 5 Техническое описание

Камера заднего вида и камера обзора (**только** в CAM35 TWIN) устанавливаются в консоль, предназначенную для оригинального стоп-сигнала. Изображение с камеры передается на монитор по системному кабелю. Модель CAM35 может быть также подключена к оригинальной навигационной системе Fiat Uconnect, так как эти камеры поддерживают стандарт NTSC.

Камера состоит из следующих основных элементов:

№ на рис. <b>8</b> , стр. 5	Наименование
1	Камера заднего вида
2	Камера обзора ( <b>только</b> в CAM35 TWIN)
3	6-контактный кабель для подключения камеры обзора ( <b>только</b> в CAM35 TWIN)
4	6-контактный кабель для подключения камеры заднего вида

### Только в CAM35 TWIN

монитор, к которой подключается камера CAM35 TWIN, должен иметь два видеовхода и позволять переключаться между изображениями, транслируемыми с камеры заднего вида и камеры обзора.

Камера заднего вида передает изображение, аналогичное отражению в зеркале заднего вида.

### Только в CAM35 NAV

Камеры CAM35 REAR NAV и CAM35 TWIN NAV можно подключить к мониторам сторонних производителей. К ним прилагается универсальный переходник (CAM35 NAV).

## 6 Монтаж камеры

### 6.1 Снимите фару стоп-сигнала

1. Снимите два винта с фары стоп-сигнала (рис. **9**, стр. 5).
2. Вытащите вилку фары стоп-сигнала (рис. **10**, стр. 6).

### 6.2 Прокладка кабелей



#### **ВНИМАНИЕ! Опасность повреждения!**

- При сверлении отверстий предварительно убедитесь в том, что имеется достаточно свободного пространства для выхода сверла.
- В результате неправильной прокладки и соединения кабелей возможны неполадки и повреждения деталей. Правильная прокладка и соединения кабелей — основное условие длительной, бесперебойной работы дополнительно установленных компонентов.
- Кабели не должны длительное время находиться в контакте с растворителями, например, бензином, т. к. растворители повреждают кабели.

Поэтому соблюдайте следующие указания:

- Для ввода соединительных кабелей используйте, по возможности, оригинальные вводы или другие сквозные отверстия, например, края обшивки, вентиляционные решетки или заглушки. Если сквозные отверстия отсутствуют, необходимо просверлить для каждого кабеля подходящие отверстия. Предварительно проверьте, имеется ли достаточно свободного места для выхода сверла.
- По возможности, всегда прокладывайте кабели внутри автомобиля, т. к. там они защищены лучше, чем снаружи. Если, тем не менее, вы прокладываете кабели снаружи автомобиля, то обеспечивайте надежное крепление (с помощью дополнительных кабельных стяжек, изолянты и т. п.).
- Во избежание повреждений кабелей всегда соблюдайте при их прокладке достаточное расстояние до горячих и подвижных узлов автомобиля (выхлопных труб, приводных валов, генератора, нагревателей, вентиляторов и т. п.). Для механической защиты используйте гофрированные трубки или аналогичные защитные материалы.
- Свинтите штекерные соединения соединительных кабелей для защиты от попадания воды. (рис. **14**, стр. 7).

- При прокладке кабелей следите за тем, чтобы они
    - не перегибались и не скручивались,
    - не терлись о края,
    - не прокладывались без защиты через вводы, имеющие острые кромки.
  - Надежно крепите кабели в автомобиле, чтобы предотвратить запутывание (опасность падения). Надежное крепление можно обеспечить, используя кабельные стяжки, изоленту или клей.
- Проложите системный кабель.

### 6.3 Электрическое подключение камеры



#### УКАЗАНИЕ

- Проложите кабель камеры так, чтобы обеспечить доступ к штекерному соединению между камерой и удлинительным кабелем на случай, если потребуется снять камеру. Это значительно облегчает демонтаж.
- Для уменьшения коррозии добавьте в один из штекеров немного консистентной смазки, например, смазки для полюсов аккумуляторных батарей.

1. Проведите вилку фары стоп-сигнала через консоль.
2. Вставьте вилку (рис. **11**, 1, стр. 6) фары стоп-сигнала в разъем фары.
3. Подключите камеру, как показано на рис. **12**, стр. 7 – рис. **14**, стр. 7. Пояснения к рис. **12**, стр. 7 и рис. **13**, стр. 7:

№	Наименование
1	6-контактный кабель для подключения камеры заднего вида
2	Переходник для камеры
3	Монитор
4	Переходник для монитора
5	Системный кабель
6	6-контактный кабель для подключения камеры обзора ( <b>только</b> в CAM35 TWIN)
7	Переходник NAV ( <b>только для</b> CAM35 NAV)
ws	белый, видеосигнал 1
ge	желтый, видеосигнал 2

№	Наименование
sw	черный
rt	красный

## 6.4 Монтаж камеры



### **ВНИМАНИЕ!**

Чтобы не допустить перекручивания и сжатия кабеля, проложить кабель камеры в нижней части консоли до самого края.

Выполните следующее (рис. **15**, стр. 8):

- ▶ Зафиксируйте фару стоп-сигнала и консоль двумя крепежными винтами 6 x 25 мм.

## 7 Уход и очистка камеры



### **ВНИМАНИЕ! Опасность повреждения!**

Не использовать для очистки острые или твердые инструменты, которые могут повредить прибор.

- ▶ Периодически очищайте камеру мягкой, влажной тряпкой.

## 8 Гарантия

Действителен установленный законом срок гарантии. Если продукт неисправен, обратитесь в представительство изготовителя в Вашей стране (см. [dometic.com/dealer](http://dometic.com/dealer)) или в торговую организацию.

В целях проведения ремонта или гарантийного обслуживания Вы должны также послать следующее:

- неисправные компоненты,
- копию счета с датой покупки,
- причину рекламации или описание неисправности.

## 9 Утилизация

- По возможности, выкидывайте упаковочный материал в мусор, подлежащий вторичной переработке.



Если Вы окончательно выводите продукт из эксплуатации, то получите информацию в ближайшем центре по вторичной переработке или в торговой сети о соответствующих предписаниях по утилизации.

## 10 Технические данные

	<b>PerfectView CAM 35 REAR</b>	<b>PerfectView CAM 35 REAR NAV</b>
Арт. №:	9102000134	9102000133
Датчик изображения:	1/4" КМОП	
Разрешение:	ок. 345000 пикселей	
Видеостандарт:	NTSC	
Чувствительность:	1,5 люксов	
Угол обзора:	ок. 150°/60° по диагонали	
Рабочее напряжение:	от 10 В <sup>===</sup> до 16 В <sup>===</sup>	
Расход:	1 Вт	
Рабочая температура:	от -30 °С до +70 °С	
Класс защиты:	IP69k	
Вибростойкость:	10g	
Размеры Ш x В x Г (с держателем):	80 x 30 x 33 мм	
Вес:	ок. 0,25 кг	

	<b>PerfectView CAM 35 TWIN</b>	<b>PerfectView CAM 35 TWIN NAV</b>
Арт. №:	9102000132	9102000131
Датчик изображения:	1/4" КМОП	
Разрешение:	ок. 345000 пикселей	
Видеостандарт:	NTSC	
Чувствительность:	1,5 люксов	
Угол обзора:	ок. 150°/60° по диагонали	
Рабочее напряжение:	от 10 В--- до 16 В---	
Расход:	1 Вт	
Рабочая температура:	от -30 °С до +70 °С	
Класс защиты:	IP69k	
Вибростойкость:	10g	
Размеры Ш x В x Г (с держателем):	80 x 30 x 33 мм	
Вес:	ок. 0,25 кг	

Prosimy o uważne przeczytanie niniejszej instrukcji i przestrzeganie wszystkich instrukcji, wskazówek i ostrzeżeń zawartych w niniejszej instrukcji produktu. Pozwoli to przez cały czas zapewnić prawidłową instalację, zastosowanie oraz konserwację produktu. Niniejsza instrukcja MUSI przez cały czas pozostawać przy produkcie.

Korzystając z produktu, użytkownik potwierdza uważne przeczytanie wszelkich instrukcji, wskazówek i ostrzeżeń, ich zrozumienie oraz zobowiązuje się przestrzegać zawartych w nich warunków. Użytkownik zobowiązuje się wykorzystywać niniejszy produkt wyłącznie zgodnie z jego przeznaczeniem i zamierzonym zastosowaniem oraz z instrukcjami, wskazówkami i ostrzeżeniami wyszczególnionymi w niniejszej instrukcji produktu, jak również ze wszystkimi mającymi zastosowanie przepisami i regulacjami prawnymi. Nieprzestrzeganie zawartych tu instrukcji i ostrzeżeń może skutkować obrażeniami u użytkownika oraz osób trzecich, uszkodzeniem produktu lub też uszkodzeniem mienia w sąsiedztwie produktu. Zastrzega się możliwość wprowadzania zmian i aktualizacji niniejszej instrukcji produktu, wraz z instrukcjami, wskazówkami i ostrzeżeniami oraz powiązaną dokumentacją. Aktualne informacje dotyczące produktu można zawsze znaleźć na stronie [documents.dometic.com](http://documents.dometic.com), [dometic.com](http://dometic.com).

## Spis treści

1	Objaśnienie symboli . . . . .	136
2	Wskazówki dotyczące bezpieczeństwa i montażu . . . . .	137
3	W zestawie . . . . .	140
4	Użytkowanie zgodne z przeznaczeniem . . . . .	140
5	Opis techniczny . . . . .	141
6	Montaż kamery . . . . .	142
7	Pielęgnacja i czyszczenie kamery . . . . .	144
8	Gwarancja . . . . .	144
9	Utylizacja . . . . .	145
10	Dane techniczne . . . . .	145

## 1 Objąśnienie symboli



### **OSTRZEŻENIE!**

**Wskazówka bezpieczeństwa** informująca o niebezpiecznej sytuacji, która – jeśli się jej nie uniknie – może prowadzić do śmierci lub ciężkich obrażeń.



### **UWAGA!**

Wskazówka informująca o sytuacji, która – jeśli się jej nie uniknie – może prowadzić do powstania szkód materialnych.



**WSKAZÓWKA**

Informacje uzupełniające dotyczące obsługi produktu.

## 2 Wskazówki dotyczące bezpieczeństwa i montażu

**OSTRZEŻENIE!**

Niebezpieczeństwo obrażeń ciała związane z pojazdem.

Systemy wideo ułatwiające cofanie zapewniają pomoc podczas jazdy wstecz, jednakże **nie** zwalniają kierowcy z obowiązku zachowania **szczególnej ostrożności w trakcie wykonywania tego manewru.**

### **Należy stosować się do uwag dot. bezpieczeństwa i dokumentacji zalecanych przez producenta i branżę motoryzacyjną!**

Należy stosować się do następujących wskazówek:

- Ze względu na zagrożenie zwarcieniem przed wykonywaniem prac w elektronicznym pojeździe należy odłączyć biegun ujemny. Biegun ujemny należy odłączyć również od dodatkowego akumulatora (jeśli istnieje).
  - Niewłaściwe połączenia przewodów mogą sprawić, że na skutek zwarcia dojdzie do:
    - spalenia kabli,
    - aktywowania poduszki powietrznej,
    - uszkodzenia urządzeń sterowniczych,
    - awarii funkcji elektrycznych (kierunkowskazów migowych, światła hamowania, buczone, zapłonu, światła).
  - Przy stosowaniu następujących przewodów należy używać tylko izolowanych końcówek kablowych, wtyczek i tulejek wtykowych płaskich:
    - 30 (wejście akumulatora od strony bieguna dodatniego, bezpośrednio),
    - 15 (przełączany biegun dodatni, za akumulatorem),
    - 31 (przewód powrotny od akumulatora, masa),
    - 58 (światła cofania).
- Nie** wolno używać łączników świecznikowych.
- Do łączenia kabli należy używać obcęgow.

- Należy przymocować przewód śrubami przy przyłączach do przewodu 31 (masa)
  - za pomocą końcówki kablowej i podkładki zębatej do śruby masowej lub
  - za pomocą końcówki kablowej i wkrętu do blachy karoserii.

Należy pamiętać o prawidłowym przeniesieniu masy!

Po odłączeniu bieguna ujemnego akumulatora następuje utrata wszystkich danych zapisanych w pamięci ulotnej.

- Wówczas konieczne jest ponowne ustawienie następujących danych (w zależności od wyposażenia pojazdu):
  - Kod radia
  - Zegar pojazdu
  - Zegar sterujący
  - Komputer pokładowy
  - Pozycja siedzenia

Wskazówki dot. ustawiania znajdują się w instrukcji obsługi.

Podczas montażu należy stosować się do następujących wskazówek:

- Montowane w pojeździe części kamery należy umocować w taki sposób, żeby w żadnej sytuacji (gwałtowne hamowanie, wypadek drogowy) nie uległy poluzowaniu, co może doprowadzić do **obrażeń pasażerów pojazdu**.
- Części układu umieszczane pod osłoną należy mocować tak, aby w przyszłości nie mogło dojść do ich poluzowania lub uszkodzenia innych części i przewodów oraz nieprawidłowego działania innych funkcji (układ kierowniczy, pedały itd.).
- Podczas wiercenia należy pamiętać o pozostawieniu wystarczającego miejsca na wylot wiertła. Pozwoli to uniknąć ewentualnych uszkodzeń.
- Należy wygładzić wywiercony otwór, a następnie zabezpieczyć środkiem antykorozyjnym.
- Zawsze trzeba się stosować do wskazówek bezpieczeństwa otrzymanych od producenta.

Niektóre prace (np. przy systemach zabezpieczających, takich jak zestaw poduszek powietrznych) mogą wykonywać jedynie odpowiednio przeszkoleni specjaliści.

Podczas pracy przy częściach elektrycznych należy stosować się do następujących wskazówek:

- Do sprawdzania napięcia w przewodach elektrycznych należy używać tylko diodowej lampki kontrolnej lub woltomierza.  
Lampki kontrolne z żarnikiem pobierają za dużo prądu, co może skutkować uszkodzeniem elektroniki pojazdu.
- Podczas układania przyłączy elektrycznych należy sprawdzić, czy
  - nie są one zgięte lub przekręcone,
  - nie ocierają się o krawędzie,
  - zostały zabezpieczone przed ostro zakończonymi przepustami (rys. **1**, strona 3).
- Należy wykonać izolację wszystkich połączeń i przyłączy.
- Należy zabezpieczyć kable przed uszkodzeniami mechanicznymi za pomocą zapinki lub taśmy izolującej, np. na istniejących przewodach.

Kamera jest wodoodporna. Jej uszczelki nie są jednak odporne na działanie czyszczących urządzeń wysokociśnieniowych (rys. **2**, strona 3). Dlatego podczas korzystania z kamery należy stosować się do następujących wskazówek:

- Osoby (także dzieci), które ze względu na niesprawność fizyczną, zmysłową lub umysłową albo brak doświadczenia lub niewiedzę nie są w stanie bezpiecznie użytkować produktu, nie powinny używać go bez nadzoru lub pouczenia przez osobę odpowiedzialną.
- Nie wolno otwierać urządzenia, ponieważ otwieranie może wpłynąć negatywnie na jego szczelność i sprawność działania (rys. **3**, strona 3).
- Nie należy pociągać za przewody, ponieważ może to wpłynąć negatywnie na szczelność i sprawność urządzenia (rys. **4**, strona 3).
- Kamera nie nadaje się do zastosowania pod wodą (rys. **5**, strona 3).

### 3 W zestawie

Nr na rys. <b>6</b> , strona 4	Ilość	Nazwa	Nr produktu
1	1	Kamera CAM35 CAM35 REAR CAM35 REAR NAV CAM35 TWIN CAM35 TWIN NAV	 9102000134 9102000133 9102000132 9102000131
2	1	Uszczelka	–
3	1	CAM35 Adapter Y CAM	9600000552
4	1	CAM35 Adapter Y CAM	9600000553
5	1	Kabel systemowy	9600000137
–	1	Adapter NAV (tylko CAM35 REAR NAV lub CAM35 TWIN NAV)	9600000554
–	2	Śruby mocujące 6 x 25 mm	
–	–	Instrukcja montażu i obsługi	

### 4 Użytkowanie zgodne z przeznaczeniem

Podwójna kamera CAM 35 jest przeznaczona przede wszystkim do użytkowania w pojazdach Fiat Ducato, Citroën Jumper, Peugeot Boxer od roku 2006 z prostym dachem. Konsola kamery montowana jest między karoserią a światłem stopu. Kamery te znajdują zastosowanie w systemach wideo służących do obserwowania obszaru wokół pojazdu z pozycji siedzenia kierowcy np. podczas manewrowania lub parkowania.

Niniejszy produkt jest przystosowany wyłącznie do wykorzystywania zgodnie z jego przeznaczeniem oraz zamierzonym zastosowaniem według niniejszej instrukcji.

Niniejsza instrukcja zawiera informacje, które są niezbędne do prawidłowego montażu i/lub obsługi produktu. Nieprawidłowy montaż i/lub niewłaściwa obsługa lub konserwacja powodują niezadowalające rezultaty i mogą prowadzić do uszkodzeń.

Producent nie ponosi żadnej odpowiedzialności za ewentualne obrażenia lub uszkodzenia produktu wynikłe z następujących przyczyn:

- Nieprawidłowy montaż lub podłączenie, w tym zbyt wysokie napięcie

- Niewłaściwa konserwacja lub użycie innych części zamiennych niż oryginalne części zamienne dostarczone przez producenta
- Wprowadzanie zmian w produkcie bez wyraźnej zgody producenta
- Użytkowanie w celach innych niż opisane w niniejszej instrukcji obsługi

Firma Dometic zastrzega sobie prawo do zmiany wyglądu i specyfikacji produktu.

## 5 Opis techniczny

Kamera ułatwiająca cofanie i kamera dalekiego zasięgu (**tylko** CAM 35 TWIN) są umieszczone w konsoli dla oryginalnego światła stopu. Obraz kamery jest przekazywany do monitora za pomocą kabla systemowego. CAM 35 nadaje się również do podłączenia do oryginalnego systemu nawigacji Unconnect w samochodach Fiat, ponieważ kamery udostępniają sygnał wideo NTSC.

Kamera składa się m.in. z następujących elementów:

Nr na rys. 8, strona 5	Nazwa
1	Kamera cofania
2	Kamera dalekiego zasięgu ( <b>tylko</b> CAM 35 TWIN)
3	6-biegunowy kabel przyłączeniowy dla kamery dalekiego zasięgu ( <b>tylko</b> CAM 35 TWIN)
4	6-biegunowy kabel przyłączeniowy dla kamery cofania

### Tylko dla CAM 35 TWIN

W przypadku kamery CAM 35 TWIN monitor należy podłączyć za pomocą dwóch wejść wideo, żeby można było go przełączać z obrazu z kamery cofania na obraz z kamery dalekiego zasięgu.

Kamera dalekiego zasięgu przekazuje obraz zgodny z obrazem widzianym w lusterku wstecznym.

### Tylko dla CAM 35 NAV

Kamery CAM35 REAR NAV i CAM35 TWIN NAV mogą być podłączane do monitorów innych producentów. Dołączony jest do nich uniwersalny adapter (adapter CAM35 NAV).

## 6 Montaż kamery

### 6.1 Demontaż światła stopu

1. Odkręcić dwie śruby światła stopu (rys. **9**, strona 5).
2. Wyciągnąć wtyczkę światła stopu (rys. **10**, strona 6).

### 6.2 Układanie przewodów



#### **UWAGA! Niebezpieczeństwo uszkodzenia!**

- Przed rozpoczęciem wiercenia należy sprawdzić, czy jest wystarczająco dużo miejsca na wylot wiertła.
- Nieprawidłowe ułożenie i połączenie przewodów prowadzi do wadliwego działania lub uszkodzenia części. Prawidłowe ułożenie i połączenie przewodów stanowi warunek trwałego i niezakłóconego funkcjonowania montowanych dodatkowo elementów wyposażenia.
- Kable nie mogą pozostawać przez dłuższy czas w kontakcie z rozpuszczalnikami takimi jak benzyna, ponieważ rozpuszczalniki mogą uszkodzić kable.

Dlatego należy stosować się do następujących wskazówek:

- Do przeciągnięcia kabli przyłączeniowych w miarę możliwości należy użyć oryginalnych przepustów lub innych przejść, jak np. krawędzie osłony, kratka wentylacyjna lub ślepy włącznik. W przypadku braku przepustów należy wywiercić na przewody odpowiednie otwory. Przedtem konieczne jest sprawdzenie, czy jest wystarczająco dużo miejsca na wylot wiertła.
- W miarę możliwości przewody kłaść zawsze we wnętrzu pojazdu, ponieważ tam są lepiej zabezpieczone niż na zewnątrz, przy pojeździe. Jeśli jednak mimo to przewody będą kładzione na zewnątrz pojazdu, należy pamiętać o ich odpowiednim zamocowaniu (należy zastosować dodatkowe zapinki, taśmy izolujące itd.).
- Aby uniknąć uszkodzenia przewodów podczas ich układania, należy zachować wystarczającą odległość od gorących i ruchomych części pojazdu (rur wydechowych, wałków napędowych, alternatora, wentylatorów, ogrzewania, itd.). W celu zapewnienia ochrony mechanicznej należy zastosować rurę osłonową lub podobne materiały zabezpieczające.
- Należy przymocować połączenia wtykowe kabla łączącego za pomocą śrub w celu ochrony przed wnikaniem wody (rys. **14**, strona 7).

- Podczas układania kabli sprawdzić, czy
    - nie są one mocno zgięte lub skręcone,
    - nie ocierają się o krawędzie,
    - zostały zabezpieczone przed ostro zakończonymi przepustami.
  - Przewody w pojeździe należy przymocować tak, aby nie doszło do ich zaplątania (obsunięcia). Można użyć do tego zapinek, taśmy izolującej lub kleju.
- Poprowadzić kabel systemowy.

### 6.3 Podłączanie elektryczne kamery



#### WSKAZÓWKA

- Przewód kamery należy położyć tak, aby w razie konieczności demontażu można było w łatwy sposób uzyskać dostęp do połączenia wtyczkowego pomiędzy kamerą a przewodem przedłużającym. Znacznie uprości to demontaż kamery.
- Aby zminimalizować ryzyko korozji wtyczki, należy nasmarować jej środek, na przykład smarem biegunowym.

1. Przeprowadzić wtyczkę światła stopu przez konsolę.
2. Ponownie podłączyć wtyczkę (rys. **11** 1, strona 6) światła stopu.
3. Podłączyć kamerę zgodnie z ilustracjami od rys. **12**, strona 7 do rys. **14**, strona 7.

Legenda do rys. **12**, strona 7 i rys. **13**, strona 7:

Nr	Nazwa
1	6-biegunowy kabel przyłączeniowy dla kamery cofania
2	Adapter Y kamery
3	Monitor
4	Adapter Y monitora
5	Kabel systemowy
6	6-biegunowy kabel przyłączeniowy dla kamery dalekiego zasięgu ( <b>tylko</b> CAM35 TWIN)
7	Adapter NAV ( <b>tylko</b> CAM35 NAV)
bi	biały, sygnał wideo 1
żł	żółty, sygnał wideo 2

Nr	Nazwa
cza	czarny
cze	czerwony

## 6.4 Montaż kamery



### UWAGA!

Zwrócić uwagę na to, aby przeprowadzić kable kamery przez dolną stronę konsoli aż do zagłębień, żeby kable nie ulegały ścisnaniu.

W tym celu należy postępować w następujący sposób: (rys. 15, strona 8):

- ▶ Umocować światło stopu i konsolę za pomocą dwóch śrub mocujących 6 x 25 mm.

## 7 Pielęgnacja i czyszczenie kamery



### UWAGA! Niebezpieczeństwo uszkodzenia!

Do czyszczenia nie wolno używać ostrych i twardych środków, ponieważ mogą one uszkodzić urządzenie.

- ▶ Od czasu do czasu należy czyścić kamerę wilgotną ściereczką.

## 8 Gwarancja

Obowiązuje ustawowy okres gwarancji. Jeśli produkt jest uszkodzony, należy zgłosić się do partnera serwisowego w danym kraju (patrz [dometic.com/dealer](http://dometic.com/dealer)).

W celu naprawy lub rozpatrzenia gwarancji konieczne jest przesłanie:

- uszkodzonych komponentów,
- kopii rachunku z datą zakupu,
- informacji o przyczynie reklamacji lub opisu wady.



## 9 Utylizacja

- Opakowanie należy wyrzucić do odpowiedniego pojemnika na śmieci do recyklingu.



Jeżeli produkt nie będzie dłużej eksploatowany, koniecznie dowiedz się w najbliższym zakładzie recyklingu lub w specjalistycznym sklepie, jakie są aktualnie obowiązujące przepisy dotyczące utylizacji.

## 10 Dane techniczne

	<b>PerfectView CAM 35 REAR</b>	<b>PerfectView CAM 35 REAR NAV</b>
Nr art.:	9102000134	9102000133
Czujnik obrazu:	1/4" CMOS	
Punkty obrazowe:	ok. 345000 pikseli	
Standard video:	NTSC	
Czułość:	1,5 luksa	
Kąt widzenia:	ok. 150°/60° po przekątnej	
Napięcie robocze:	10 V <sub>DC</sub> do 16 V <sub>DC</sub>	
Zużycie:	1 W	
Temperatura robocza:	-30 °C do +70 °C	
Stopień ochrony:	IP69k	
Odporność na wibracje:	10g	
Wymiary szer. x wys. x gł. (z uchwytem):	80 x 30 x 33 mm	
Waga:	ok. 0,25 kg	

	<b>PerfectView CAM 35 TWIN</b>	<b>PerfectView CAM 35 TWIN NAV</b>
Nr art.:	9102000132	9102000131
Czujnik obrazu:	1/4" CMOS	
Punkty obrazowe:	ok. 345000 pikseli	
Standard video:	NTSC	
Czułość:	1,5 luksa	
Kąt widzenia:	ok. 150°/60° po przekątnej	
Napięcie robocze:	10 V $\overline{=}$ do 16 V $\overline{=}$	
Zużycie:	1 W	
Temperatura robocza:	-30 °C do +70 °C	
Stopień ochrony:	IP69k	
Odporność na wibracje:	10g	
Wymiary szer. x wys. x gł. (z uchwytem):	80 x 30 x 33 mm	
Waga:	ok. 0,25 kg	

Dôkladne si prečítajte tento návod a dodržiavajte všetky pokyny, usmernenia a varovania uvedené v tomto návode k výrobku, aby bolo zaručené, že výrobok bude vždy správne nainštalovaný, používaný a udržiavaný. Tento návod MUSÍ zostať priložený k výrobku.

Používaním tohto výrobku týmto potvrdzujete, že ste si dôkladne prečítali všetky pokyny, usmernenia a varovania a že rozumiete a súhlasíte s dodržiavaním všetkých uvedených podmienok. Súhlasíte, že tento výrobok budete používať iba v súlade s určeným použitím a v súlade s pokynmi, usmerneniami a varovaniami uvedenými v tomto návode k výrobku, ako aj v súlade so všetkými platnými zákonmi a nariadeniami. V prípade, že si neprečítate a nebudete sa riadiť pokynmi a varovaniami uvedenými v tomto návode, môže mať za následok vaše poranenie alebo poranenie iných osôb, poškodenie vášho výrobku alebo poškodenie majetku v jeho blízkosti. Tento návod na obsluhu výrobku vrátane pokynov, usmernení a varovaní, a súvisiaca dokumentácia môže podliehať zmenám a aktualizáciám. Najaktuálnejšie informácie o výrobku nájdete na adrese [documents.dometic.com](http://documents.dometic.com), [dometic.com](http://dometic.com).

## Obsah

1	Vysvetlenie symbolov . . . . .	147
2	Bezpečnostné a inštaláčne pokyny . . . . .	148
3	Rozsah dodávky . . . . .	150
4	Používanie na stanovený účel . . . . .	151
5	Technický popis . . . . .	152
6	Montáž kamery . . . . .	152
7	Ošetrovanie a čistenie kamery . . . . .	155
8	Záruka . . . . .	155
9	Likvidácia . . . . .	155
10	Technické údaje . . . . .	156

## 1 Vysvetlenie symbolov



### VÝSTRAHA!

**Bezpečnostné upozornenie** na nebezpečnú situáciu, ktorá môže viesť k usmrteniu alebo ťažkému poraneniu, ak sa jej nezabráni.



### POZOR!

Upozornenie na situáciu, ktorá môže viesť k materiálnym škodám, ak sa jej nezabráni.



### POZNÁMKA

Doplňujúce informácie týkajúce sa obsluhy produktu.

## 2 Bezpečnostné a inšalačné pokyny



### VÝSTRAHA!

Nebezpečenstvo ublíženia na zdraví vychádzajúce z vozidla. Cúvacie videosystémy predstavujú pomoc pri cúvaní, avšak **nezbavujú vodičov mimoriadnej opatrnosti pri cúvaní**.

### Rešpektujte bezpečnostné pokyny a podklady vydané výrobcom vozidla a predpísané remeselným zväzom!

Rešpektujte nasledovné upozornenia:

- Pred začatím prác na elektrickom zariadení vozidla vždy najprv odpojte záporný pól, aby sa vylúčilo nebezpečenstvo skratu.  
Ak má vozidlo prídavnú batériu, aj na nej musíte odpojiť záporný pól.
- Nedostatočné spojenia vodičov môžu mať za následok, že na základe skratu
  - vznikne požiar z káblov,
  - aktivuje sa airbag,
  - poškodia sa riadiace zariadenia,
  - vypadnú elektrické funkcie (smerové svetlá, brzdové svetlo, klaksón, zapalovanie, svetlá).
- Pri prácach na nasledovných vedeniach používajte len izolované káblkové koncovky, konektory a ploché dutinky na konektor:
  - 30 (vstup z batérie, kladné napätie, priamo),
  - 15 (zopnuté kladné napätie, za batériou),
  - 31 (spätný vodič od batérie, kostra),
  - 58 (spätné svetlomety).

**Nepoužívajte** svietidlové spojky.

- Na spojenie káblov použite krimpovacie kliešte.
- Priskrutkujte kábel pri zapojeniach na vodič 31 (kostra)
  - spolu s káblovou koncovkou a ozubenou podložkou na ukostrovaciu skrutku vozidla alebo
  - spolu s káblovou koncovkou a skrutkou na plech na plech karosérie.

Dbajte na to, aby bol prenos na kostru dostatočný!

Pri odpojení záporného pólu batérie stratia všetky prechodné pamäte komfortnej elektroniky svoje uložené údaje.

- V závislosti od vyhotovenia vozidla je potrebné znova nastaviť nasledovné údaje:
  - Kód rádia
  - Hodiny vozidla
  - Spínacie hodiny
  - Palubný počítač
  - Poloha sedadiel

Pokyny na nastavenie nájdete v príslušnom návode na používanie.

Pri montáži dodržiavajte nasledovné pokyny:

- Vo vnútri vozidla namontované časti kamery upevnite tak, aby sa za žiadnych okolností (prudké brzdenie, dopravná nehoda) nemohli uvoľniť a viesť **k zraneniam pasažierov vo vnútri vozidla**.
- Upevnite časti systému tak, že ich skryjete pod obloženie, a to tak, aby sa neuvolnili alebo nepoškodili iné časti alebo iné vedenia a aby sa nepriaznivo neovplyvnili funkcie vozidla (riadenie, pedále atď.).
- Pri vrtaní dajte pozor, aby mal vrták na výstupe dostatok priestoru, aby sa predišlo poškodeniam.
- Odstráňte výronky z každého vyvrtaného otvoru a ošetríte ich antikoróznym prostriedkom.
- Vždy dodržiavajte bezpečnostné upozornenia výrobcu vozidla. Niektoré práce (napr. na zadržiacich systémoch ako AIRBAG atď.) smie vykonávať len vyškolený odborný personál.

Pri práci na elektrických častiach dodržiavajte nasledovné pokyny:

- Na kontrolu napätia v elektrických vedeniach používajte len diódovú skúšobnú lampu alebo voltmeter. Skúšobné lampy s osvetľovacím telesom zachytia príliš vysoký prúd, ktorým by sa mohla poškodiť elektronika vozidla.
- Pri uložení elektrických prípojok dávajte pozor,
  - aby neboli stlačené alebo prekrútené,
  - aby sa neodierali o hrany,
  - aby bez ochrany nevedli cez ostré prechody (obr. **1**, strane 3).
- Zaizolujte všetky spojenia a prípojky.
- Zaistite káble proti mechanickému namáhaniu pomocou viazačov káblov alebo izolačnej pásky, napr. k existujúcim vedeniam.

Kamera je vodotesná. Tesnenia kamery však neodolajú tlaku vysokotlakového čističa (obr. **2**, strane 3). Pri manipulácii s kamerou dodržiavajte nasledovné upozornenia:

- Osoby (vrátane detí), ktoré z dôvodu ich fyzických, zmyslových či duševných schopností alebo ich neskúsenosti či neznalosti nie sú schopné výrobok bezpečne používať, nemajú používať tento prístroj bez dozoru alebo poučenia od zodpovednej osoby.
- Neotvárajte kameru, pretože by to mohlo nepriaznivo ovplyvniť jej tesnosť a funkčnosť (obr. **3**, strane 3).
- Neťahajte kábel, pretože to môže nepriaznivo ovplyvniť tesnosť a funkčnosť kamery (obr. **4**, strane 3).
- Kamera nie je vhodná na prevádzku pod vodou (obr. **5**, strane 3).

### 3 Rozsah dodávky

Č. v obr. <b>6</b> , strane 4	Množstvo	Označenie	Tovarové č.
1	1	Kamera CAM35 CAM35 REAR CAM35 REAR NAV CAM35 TWIN CAM35 TWIN NAV	9102000134 9102000133 9102000132 9102000131
2	1	Tesnenie	–
3	1	CAM35 Adaptér Y CAM	9600000552
4	1	CAM35 Adaptér Y MON	9600000553
5	1	Systémový kábel	9600000137
–	1	Adaptér NAV (len CAM35 REAR NAV alebo CAM35 TWIN NAV)	9600000554
–	2	Upevňovacie skrutky 6 × 25 mm	
–	–	Návod na montáž a obsluhu	

## 4 Používanie na stanovený účel

Dvojitá kamera CAM35 je prednostne určená na použitie vo vozidlách Fiat Ducato, Citroën Jumper, Peugeot Boxer od modelového roku 2006 s jednoduchou strechou. Konzola kamery sa montuje medzi karosériu a brzdové svetlo. Dajú sa použiť vo videosystémoch, ktoré slúžia na pozorovanie priestoru okolo vozidla zo sedadla vodiča, napr. pri posunovaní alebo parkovaní.

Tento výrobok je vhodný iba na použitie na určený účel a použitie v súlade s týmto návodom.

Tento návod obsahuje informácie, ktoré sú nevyhnutné pre správnu inštaláciu a/alebo obsluhu výrobku. Chybná inštalácia a/alebo nesprávna obsluha či údržba bude mať za následok neuspokojivý výkon a možnú poruchu.

Výrobca nenesie žiadnu zodpovednosť za akékoľvek poranenia či škody na výrobku spôsobené:

- nesprávnou montážou alebo pripojením vrátane nadmerného napätia
- nesprávnou údržbou alebo použitím iných ako originálnych náhradných dielov poskytnutých výrobcom
- Zmeny produktu bez výslovného povolenia výrobcu
- Použitie na iné účely než na účely opísané v návode

Firma Dometic si vyhradzuje právo na zmenu vzhľadu a technických parametrov výrobku.

## 5 Technický popis

Cúvacia kamera a výhľadová kamera (**len** CAM35 TWIN) sú namontované v konzole pre originálne brzdové svetlo. Kamerový obraz je cez systémový kábel prenášaný na monitor. CAM35 je vhodná aj na pripojenie k originálnemu navigačnému systému Fiat Uconnect, pretože kamery poskytujú video signál NTSC.

Kamera pozostáva o. i. z nasledovných prvkov:

Č. v obr. 8, strane 5	Označenie
1	Cúvacia kamera
2	Výhľadová kamera ( <b>len</b> CAM35 TWIN)
3	6-pólový pripájací kábel pre výhľadovú kameru ( <b>len</b> CAM35 TWIN)
4	6-pólový pripájací kábel pre cúvaciu kameru

### Len pre CAM35 TWIN

V prípade CAM35 TWIN musí byť pripojený monitor s dvomi video vstupmi, ktorý umožňuje prepínanie medzi obrazom cúvacej a výhľadovej kamery.

Výhľadová kamera sprostredkuje obraz, ako keby ste pozerali do spätného zrkadla.

### Len pre CAM35 NAV

Kamery CAM35REAR NAV a CAM35 TWIN NAV je možné pripojiť k monitorom iných výrobcov. Dodávaný je univerzálny adaptér (adaptér CAM35 NAV).

## 6 Montáž kamery

### 6.1 Demontáž brzdového svetla

1. Uvoľníte dve skrutky brzdového svetla (obr. 9, strane 5).
2. Vytiahnite konektor brzdového svetla (obr. 10, strane 6).



## 6.2 Uloženie káblov



### **POZOR! Nebezpečenstvo poškodenia!**

- Pred vŕtaním otvorov skontrolujte, či je dostatok voľného priestoru pre výstup vrtáka.
- Neodborné uloženie kábla a káblových spojení vedie k chybnnej činnosti alebo poškodeniu konštrukčných dielcov. Správne uloženie kábla, príp. káblových spojení je základným predpokladom trvalej a bezchybnnej činnosti dodatočne namontovaných komponentov.
- Káble nesmú prichádzať dlhší čas do styku s rozpúšťadlami, ako napr. benzín, pretože tie by mohli káble poškodiť.

Rešpektujte preto nasledovné upozornenia:

- Na prechod prípojného kábla použite podľa možností originálne priechodky alebo iné možnosti prechodu napr. obloženie hrán, ventilačné mriežky alebo slepé spínače. Ak nie sú k dispozícii žiadne prechody, musia sa pre káble vyvŕtať vhodné otvory. Najprv zistite, či je dostatok voľného priestoru pre výstup vrtáka.
  - Uložte káble podľa možnosti vždy vnútri vozidla, pretože tam budú lepšie chránené ako vonku na vozidle.  
Ak aj napriek tomu uložíte káble mimo vozidla, dbajte na ich bezpečné upevnenie (prídavným viazačom káblov, izolačnou páskou atď.).
  - Aby sa predišlo poškodeniu káblov, dodržiavajte pri uložení kábla dostatočný odstup od horúcich a pohyblivých častí vozidla (výfukové vedenie, hnacie hriadele, alternátor, ventilátor, kúrenie atď.). Na mechanickú ochranu použite vlnitú rúrku alebo podobné ochranné materiály.
  - Zaskrutkujte zástrčkové spoje spájacích káblov na ochranu proti vniknutiu vody (obr. 14, strane 7).
  - Pri uložení káblov dávajte pozor,
    - aby neboli silno stlačené alebo prekrútené,
    - aby sa neodierali o hrany,
    - aby neboli uložené v ostrých priechodkách bez dostatočnej ochrany.
  - Upevnite káble bezpečne vo vozidle, aby ste predišli zamotaniu (nebezpečenstvo pádu). Možno tak urobiť použitím viazačov káblov, izolačnej pásky alebo prilepením lepidlom.
- Položte systémový kábel.

## 6.3 Elektrické zapojenie kamery



### POZNÁMKA

- Kábel kamery uložte tak, aby ste sa v prípade potreby demontáže kamery ľahko dostali k zástrčkovému spoju kamery a predlžovacieho kábla. Demontáž sa tým výrazne zjednoduší.
- Aby sa minimalizovala korózia konektora, dajte malé množstvo masťava, napr. masťava na póly, do konektora.

1. Ved'te konektor brzdového svetla cez konzolu.
2. Konektor (obr. **11** 1, strane 6) brzdového svetla opäť pripojte k brzdovému svetlu.
3. Zapojte kameru tak, ako je znázornené na obr. **12**, strane 7 až obr. **14**, strane 7. Legenda k obr. **12**, strane 7 a obr. **13**, strane 7:

Č.	Označenie
1	6-pólový pripájací kábel pre cúvaciu kameru
2	Y-adaptér kamery
3	Monitor
4	Y-adaptér monitora
5	Systémový kábel
6	6-pólový pripájací kábel pre výhľadovú kameru ( <b>len</b> CAM35 TWIN)
7	Adaptér NAV ( <b>len</b> CAM35 NAV)
bl	biela, video signál 1
žl	žltá, video signál 2
čr	čierna
če	červená

## 6.4 Montáž kamery



### POZOR!

Dbajte na to, aby ste káble kamery viedli spodnou stranou konzoly až k výsekom, inak môže dôjsť k ich stlačeniu.

Postupujte nasledovne (obr. 15, strane 8):

- ▶ Brzdové svetlo a konzolu upevnite pomocou dvoch upevňovacích skrutiek 6 × 25 mm.

## 7 Ošetrovanie a čistenie kamery



### **POZOR! Nebezpečenstvo poškodenia!**

Na čistenie nepoužívajte ostré prostriedky, pretože by mohli poškodiť prístroj.

- ▶ Kameru príležitostne vyčistite mäkkou, navlhčenou handričkou.

## 8 Záruka

Platí zákonom stanovená záručná lehota. Ak by bol výrobok chybný, obráťte sa na pobočku výrobcu vo vašej krajine (pozri [dometic.com/dealer](http://dometic.com/dealer)) alebo na vášho špecializovaného predajcu.

Ak žiadate o vybavenie opravy alebo nárokov vyplývajúcich zo záruky, musíte priložiť nasledovné:

- chybné komponenty,
- kópiu faktúry s dátumom kúpy,
- dôvod reklamácie alebo opis chyby.

## 9 Likvidácia

- ▶ Obalový materiál podľa možnosti odovzdajte do príslušného odpadu na recykláciu.



Keď výrobok definitívne vyradíte z prevádzky, informujte sa v najbližšom recyklačnom stredisku alebo u vášho špecializovaného predajcu o príslušných predpisoch týkajúcich sa likvidácie.

## 10 Technické údaje

	<b>PerfectView CAM 35 REAR</b>	<b>PerfectView CAM 35 REAR NAV</b>
Tov.-č.:	9102000134	9102000133
Snímač obrazu:	1/4" CMOS	
Obrazové prvky:	cca 345000 pixelov	
Štandard video režimu:	NTSC	
Citlivosť:	1,5 lux	
Uhol pohľadu:	cca 150°/60° diagonálne	
Prevádzkové napätie:	10 V $\pm$ až 16 V $\pm$	
Spotreba:	1 W	
Prevádzková teplota:	-30 °C až +70 °C	
Trieda ochrany:	IP69k	
Odolnosť voči vibráciám:	10g	
Rozmery Š × V × H (s držiakom):	80 × 30 × 33 mm	
Hmotnosť:	cca 0,25 kg	

	<b>PerfectView CAM 35 TWIN</b>	<b>PerfectView CAM 35 TWIN NAV</b>
Tov.-č.:	9102000132	9102000131
Snímač obrazu:	1/4" CMOS	
Obrazové prvky:	cca 345000 pixelov	
Štandard video režimu:	NTSC	
Citlivosť:	1,5 lux	
Uhol pohľadu:	cca 150°/60° diagonálne	
Prevádzkové napätie:	10 V $\overline{=}$ až 16 V $\overline{=}$	
Spotreba:	1 W	
Prevádzková teplota:	-30 °C až +70 °C	
Trieda ochrany:	IP69k	
Odolnosť voči vibráciám:	10g	
Rozmery Š × V × H (s držiakom):	80 × 30 × 33 mm	
Hmotnosť:	cca 0,25 kg	

Pečlivě si prosím přečtěte a dodržujte všechny pokyny, směrnice a varování obsažené v tomto návodu k výrobku, abyste měli jistotu, že výrobek budete vždy správně instalovat, používat a udržovat. Tyto pokyny MUSÍ být uchovávány v blízkosti výrobku.

Používáním výrobku tímto potvrzujete, že jste si pečlivě přečetli všechny pokyny, směrnice a varování a že rozumíte podmínkám uvedeným v tomto dokumentu a souhlasíte s nimi. Souhlasíte s používáním tohoto výrobku pouze k určenému účelu a použití a v souladu s pokyny, směrnicemi a varováními uvedenými v tomto návodu k výrobku a v souladu se všemi příslušnými zákony a předpisy. Pokud si nepřečtete a nebudete dodržovat zde uvedené pokyny a varování, může to vést ke zranění vás i ostatních, poškození vašeho výrobku nebo poškození jiného majetku v okolí. Tento návod k výrobku, včetně pokynů, směrnic a varování a související dokumentace může být předmětem změn a aktualizací. Aktuální informace o výrobku naleznete na stránkách [documents.dometic.com](http://documents.dometic.com), [dometic.com](http://dometic.com).

## Obsah

1	Vysvětlení symbolů . . . . .	158
2	Bezpečnostní pokyny a pokyny k instalaci . . . . .	159
3	Obsah dodávky . . . . .	161
4	Použití v souladu se stanoveným účelem . . . . .	162
5	Technický popis . . . . .	163
6	Montáž kamery . . . . .	164
7	Čištění a péče o kameru . . . . .	166
8	Odpovědnost za vady . . . . .	166
9	Likvidace . . . . .	166
10	Technické údaje . . . . .	167

## 1 Vysvětlení symbolů



### VÝSTRAHA!

**Bezpečnostní upozornění** na nebezpečnou situaci, která může vést k úmrtí nebo těžkému poranění osob, pokud se jí nevyhnete.



### POZOR!

Upozornění na situaci, která může vést k poškození majetku, pokud se jí nevyhnete.



### POZNÁMKA

Doplňující informace týkající se obsluhy výrobku.

## 2 Bezpečnostní pokyny a pokyny k instalaci



### VÝSTRAHA!

Nebezpečí úrazu osob, způsobených vozidlem.

Systemy couvací kamery jsou určeny k podpoře při couvání. **Nezbavují však povinnosti zachovávat během couvání mimořádnou opatrnost.**

### **Dodržujte předepsané bezpečnostní pokyny a předpisy vydané výrobcem vozidla a autoservisem!**

Dodržujte následující pokyny:

- Z důvodu nebezpečí zkratu musíte před zahájením prací na elektrickém systému vozidla vždy odpojit záporný pól.  
V případě vozidel s přídatnou baterií musíte rovněž odpojit záporný pól na této baterii.
  - Nesprávně provedené spoje vodičů mohou způsobit zkrat s těmito následky:
    - Vznik požáru kabelů
    - Uvolnění airbagů
    - Poškození elektronických řídicích zařízení
    - Porucha funkcí elektrických zařízení (ukazatele změny směru jízdy, brzdová světla, klakson, zapalování, světla).
  - Při práci na následujících vodičích použijte pouze izolované kabelové koncovky, zástrčky a ploché dutinky:
    - 30 (přímý vstup z baterie plus),
    - 15 (spínaný kontakt plus, za baterií),
    - 31 (vedení od baterie, kostra),
    - 58 (světlo zpátečky).
- Nepoužívejte **žádné** lustrové svorky (tzv. „čokoláda“).
- Používejte ke spojování kabelů lisovací kleště.
  - Přišroubujte kabely v případě přípojek k vodiči 31 (kostra)
    - pomocí kabelového oka a zubové podložky k vlastnímu kostřičímu šroubu vozidla nebo
    - kabelovým okem a šroubem do plechu k plechu karoserie.

Pamatujte na dobré uzemnění!

Při odpojování záporného pólu baterie dojde v dočasné paměti systémů komfortní elektroniky ke ztrátě uložených dat.

- V závislosti na vybavení vozidla musíte znovu nastavit následující data:
  - Kód rádia
  - Hodiny ve vozidle
  - Spínací hodiny
  - Palubní počítač
  - Poloha sedadla

Pokyny k nastavení naleznete v příslušném návodu k obsluze.

Při montáži dodržujte následující pokyny:

- Upevněte součásti kamery, namontované ve vozidle, tak, aby se nemohly za žádných okolností uvolnit (náhlé brzdění, nehoda) **a způsobit úrazy posádky vozidla.**
- Upevněte součásti systému, které jsou instalovány pod kryty, tak, aby se neuvolnily nebo aby nepoškodily jiné součásti a rozvody a aby nemohly narušovat žádné systémy vozidla (řízení, pedály apod.).
- Při vrtání pamatujte na dostatek volného prostoru pro vrták, abyste zabránili vzniku škod.
- Každý otvor odjehlete a ošetřete jej antikoročním prostředkem.
- Vždy dodržujte bezpečnostní pokyny výrobce vozidla.  
Některé činnosti (např. na systémech bezpečnostních prvků, jako je AIRBAG apod.) smí provádět pouze školený specializovaný personál.

Při práci na elektrických součástech dodržujte následující pokyny:

- Ke kontrole napětí v elektrických vodičích používejte pouze diodovou zkoušečku nebo voltmetr.  
Zkoušečky s osvětlovacím tělesem odebírají příliš velké množství proudu, následkem může být poškození elektronického systému vozidla.
- Pamatujte při instalaci elektrických přípojek:
  - kabely nesmíte zalamovat nebo zkrucovat,
  - kabely se nesmějí dít o rohy a hrany,
  - kabely nesmějí být bez ochrany instalovány v průchodkách s ostrými hranami (obr. **1**, strana 3).
- Izolujte všechny spoje a přípojky.
- Zajistěte kabely proti mechanickému namáhání vázacími páskami nebo izolační páskou, např. ke stávajícím vodičům.



Kamera je vodotěsná. Těsnění kamery ale nejsou odolná proti působení vysokotlaké čističky (obr. **2**, strana 3). Při manipulaci s kamerou proto dodržujte následující pokyny:

- Osoby (včetně dětí), které z důvodu svých fyzických, sensorických nebo duševních schopností, nebo své nezkušenosti nebo neznalosti, nejsou schopny bezpečně používat výrobek, nesmějí tento výrobek používat bez dohledu odpovědné osoby nebo bez jejího poučení.
- Kameru neotevírejte, došlo by k narušení její těsnosti a funkčnosti (obr. **3**, strana 3).
- Netahejte za kabely, došlo by k narušení těsnosti a funkčnosti kamery (obr. **4**, strana 3).
- Kamera není určena pro provoz pod vodou (obr. **5**, strana 3).

### 3 Obsah dodávky

Č. na obr. <b>6</b> , strana 4	Množství	Název	Č. výrobku
1	1	Kamera CAM35 CAM35 REAR CAM35 REAR NAV CAM35 TWIN CAM35 TWIN NAV	9102000134 9102000133 9102000132 9102000131
2	1	Těsnění	–
3	1	CAM35 Y-adaptér CAM	9600000552
4	1	CAM35 Y-adaptér MON	9600000553
5	1	Systémový kabel	9600000137
–	1	NAV-adaptér (pouze CAM35 REAR NAV nebo CAM35 TWIN NAV)	9600000554
–	2	Upevňovací šrouby 6 x 25 mm	
–	–	Návod k montáži a obsluze	

## 4 Použití v souladu se stanoveným účelem

Dvojitá kamera CAM35 je určena přednostně k použití ve vozidlech Fiat Ducato, Citroën Jumper, Peugeot Boxer od modelového roku 2006 s jednoduchou střechou. Konzola kamery se namontuje mezi karoserii a brzdové světlo. Jsou používány ve videosystémech, které slouží ke sledování oblasti kolem vozidla ze sedadla řidiče, např. při posunování nebo parkování.

Tento výrobek je vhodný pouze k určenému účelu a použití v souladu s tímto návodem.

Tento návod poskytuje informace, které jsou nezbytné pro řádnou instalaci a/nebo provoz výrobku. Nedostatečná instalace a/nebo nesprávný provoz či údržba povedou k neuspokojivému výkonu a možné závadě.

Výrobce nepřijímá žádnou odpovědnost za jakékoli zranění nebo poškození výrobku vyplývající z následujícího:

- Nesprávné sestavení nebo připojení včetně nadměrného napětí
- Nesprávná údržba nebo použití jiných náhradních dílů než původních dílů dodaných výrobcem
- Změna výrobku bez výslovného souhlasu výrobce
- Použití k jiným účelům, než jsou popsány v tomto návodu

Společnost Dometic si vyhrazuje právo změnit vzhled a specifikace výrobku.

## 5 Technický popis

Zpětná kamera a kamera pro výhled do dálky (**jen** CAM35 TWIN) jsou umístěny v konzole pro originální brzdové světlo. Obraz kamery je přenášen přes systémový kabel na monitor. CAM35 je vhodná také k připojení k originálnímu navigačnímu systému Fiat Uconnect, protože kamery poskytují videosignál NTSC.

Kameru tvoří mj. následující prvky:

Č. na obr. 8, strana 5	Název
1	Zpětná kamera
2	Kamera pro výhled do dálky ( <b>jen</b> CAM35 TWIN)
3	6pólový přívodní kabel pro kameru pro výhled do dálky ( <b>jen</b> CAM35 TWIN)
4	6pólový přívodní kabel pro zpětnou kameru

### Jen pro CAM35 TWIN

U modelu CAM35 TWIN musí být připojen monitor se dvěma video vstupy, který lze přepínat mezi obrazem zpětné kamery a kamery pro výhled do dálky.

Kamera pro výhled do dálky přenáší obraz tak, jako byste se dívali do zpětného zrcátka.

### Jen pro CAM35 NAV

Kamery CAM35REAR NAV a CAM35 TWIN NAV lze připojit k monitorům jiných výrobců. Je přiložen univerzální adaptér (CAM35 NAV-adaptér).

## 6 Montáž kamery

### 6.1 Demontáž brzdového světla

1. Povolte dva šrouby brzdového světla (obr. **9**, strana 5).
2. Vytáhněte zástrčku brzdového světla (obr. **10**, strana 6).

### 6.2 Instalace kabelů



#### **POZOR! Nebezpečí poškození!**

- Při vrtání otvorů nejprve zkontrolujte, zda je k dispozici dostatek volného prostoru pro vrták.
- Nesprávná instalace kabelů a kabelových spojů vede vždy k závadám nebo poškození součástí. Správná instalace kabelů nebo kabelových spojů je základním předpokladem trvalé a bezchybné funkce instalovaných součástí.
- Kabely nesmí být po delší dobu v kontaktu s rozpouštědly, jako je např. benzín, protože rozpouštědla mohou kabely poškodit.

Dodržujte proto následující pokyny:

- Používejte k instalaci přívodních kabelů podle možnosti originální průchodky nebo jiné možnosti vedení, např. hrany krytu, větrací mřížky nebo záslepky. Pokud nejsou dostupné žádné průchodky, musíte pro příslušné kabely vyvrtat otvory. Nejdříve se podívejte, zda je na druhé straně případného otvoru dostatek volného místa.
- Podle možností pokládejte kabely vždy uvnitř vozidla, protože tam jsou lépe chráněny než zvenčí vozidla. Pokud kabely i přesto instalujete zvenčí vozidla, dbejte na bezpečné upevnění (použitím vázacích pásek na kabely, izolační pásky apod.).
- K zabránění poškození kabelů pokládejte kabely vždy v dostatečné vzdálenosti od horkých a pohyblivých součástí vozidla (výfukové potrubí, hnací hřídele, dynamo, ventilátory, topení apod.). Z důvodu mechanické ochrany použijte chráničky nebo jiné podobné ochranné materiály.
- Z důvodu ochrany proti vniknutí vody přišroubujte konektorové spoje spojovacích kabelů (obr. **14**, strana 7).
- Pamatujte při instalaci kabelů, že
  - kabely nesmíte ostře zalamovat nebo zkrucovat,
  - kabely se nesmějí dít o rohy a hrany,
  - kabely nesmějí být bez ochrany instalovány v průchodkách s ostrými hranami.

- Upevněte kabely ve vozidle bezpečně, abyste zabránili zachycení za kabely (nebezpečí pádu). Můžete to provést použitím vázacích pásků na kabely, izolační pásky nebo lepidla.
- Uložte systémový kabel.

### 6.3 Elektrické připojení kamery



#### POZNÁMKA

- Instalujte kabely kamery tak, aby při případné nutné demontáži byl možný snadný přístup ke konektorovým spojům mezi kamerou a prodlužovacím kabelem. Demontáž je tím výrazně zjednodušena.
- Z důvodu minimalizace koroze naneste na zástrčku trochu maziva, např. mazací tuk na póly.

1. Zástrčku brzdového světla prostrčte konzolou.
2. Zástrčku (obr. **11** 1, strana 6) brzdového světla opět připojte k brzdovému světlu.
3. Kameru zapojte, jak je ukázáno v obr. **12**, strana 7 až obr. **14**, strana 7.

Legenda k obr. **12**, strana 7 a obr. **13**, strana 7:

Č.	Název
1	6pólový přívodní kabel pro zpětnou kameru
2	Y-adaptér kamery
3	Monitor
4	Y-adaptér monitoru
5	Systémový kabel
6	6pólový přívodní kabel pro kameru pro výhled do dálky ( <b>jen</b> CAM35 TWIN)
7	NAV-adaptér ( <b>pouze</b> CAM35 NAV)
ws	bílá, videosignál 1
ge	žlutá, videosignál 2
sw	černá
rt	červená

## 6.4 Montáž kamery

**POZOR!**

Dbejte na to, aby byl kabel kamery veden v dolní straně konzoly až k výřezům, aby kabely nebyly sevřené.

Postupujte takto (obr. 15, strana 8):

- Brzdové světlo a konzolu upevněte dvěma upevňovacími šrouby 6 x 25 mm.

## 7 Čištění a péče o kameru

**POZOR! Nebezpečí poškození!**

Nepoužívejte k čištění žádné tvrdé nebo ostré prostředky, může dojít k poškození přístroje.

- Příležitostně vyčistěte kameru mírně zvlhčeným měkkým hadříkem.

## 8 Odpovědnost za vady

Na výrobek je poskytována záruka v souladu s platnými zákony. Zjistíte-li, že je výrobek vadný, zašlete jej do pobočky výrobce ve vaší zemi (viz [dometic.com/dealer](http://dometic.com/dealer)) nebo specializovanému prodejci.

K vyřízení opravy nebo záruky nezapomeňte odeslat následující:

- Vadné součásti,
- Kopii účtenky s datem zakoupení,
- Uvedení důvodu reklamace nebo popisu vady.

## 9 Likvidace

- Obalový materiál likvidujte v odpadu určeném k recyklaci.



Jakmile výrobek zcela vyřadíte z provozu, informujte se v příslušných recyklačních centrech nebo u specializovaného prodejce o příslušných předpisech o likvidaci odpadu.

## 10 Technické údaje

	<b>PerfectView CAM 35 REAR</b>	<b>PerfectView CAM 35 REAR NAV</b>
Výr. č.:	9102000134	9102000133
Obrazový senzor:	1/4" CMOS	
Počet obrazových bodů:	cca 345000 pixelů	
Standard videa:	NTSC	
Citlivost:	1,5 luxů	
Úhel pohledu:	cca 150°/60° diagonálně	
Provozní napětí:	10 V $\pm$ až 16 V $\pm$	
Spotřeba:	1 W	
Provozní teplota:	-30 °C až +70 °C	
Krytí:	IP69k	
Odolnost proti vibracím:	10g	
Rozměry Š x V x H (s držákem):	80 x 30 x 33 mm	
Hmotnost:	cca 0,25 kg	

	<b>PerfectView CAM 35 TWIN</b>	<b>PerfectView CAM 35 TWIN NAV</b>
Výr. č.:	9102000132	9102000131
Obrazový senzor:	1/4" CMOS	
Počet obrazových bodů:	cca 345000 pixelů	
Standard videa:	NTSC	
Citlivost:	1,5 luxů	
Úhel pohledu:	cca 150°/60° diagonálně	
Provozní napětí:	10 V <sub>DC</sub> až 16 V <sub>DC</sub>	
Spotřeba:	1 W	
Provozní teplota:	-30 °C až +70 °C	
Krytí:	IP69k	
Odolnost proti vibracím:	10g	
Rozměry Š x V x H (s držákem):	80 x 30 x 33 mm	
Hmotnost:	cca 0,25 kg	



A termék mindenkor szakszerű telepítése, használata és karbantartása érdekében kérjük figyelmesen olvassa el az ebben a termék kézikönyvben található utasításokat, irányelveket és figyelmeztetéseket, valamint mindig tartsa be ezeket. Ezt az útmutatót a termék közelében KELL tartani.

A termék használatba vételével Ön kijelenti hogy figyelmesen elolvasta az összes utasítást, irányelvet és figyelmeztetést, valamint megértette és elfogadja az itt leírt szerződési feltételeket. Ön elfogadja, hogy kizárólag a rendeltetésének megfelelő célra és a jelen termék kézikönyvben leírt útmutatásoknak, irányelveknek és figyelmeztetéseknek, valamint a hatályos törvényeknek és szabályozásoknak megfelelően használja ezt a terméket. Az itt leírt utasítások és figyelmeztetések elolvasásának és betartásának elmulasztása saját és mások sérüléséhez, a termék vagy a közelben található más anyagi javak károsodásához vezethet. Ez a termék kézikönyv és a benne található utasítások, irányelvek és figyelmeztetések, valamint a kapcsolódó dokumentációk módosulhatnak és frissülhetnek. Naprakész termékinformációk érdekében kérjük látogasson el a következő honlapra: documents.dometic.com, dometic.com.

## Tartalomjegyzék

1	Szimbólumok magyarázata	169
2	Biztonsági és beszerelési tudnivalók	170
3	Szállítási terjedelem	172
4	Rendeltetésszerű használat	173
5	Műszaki leírás	174
6	A kamera felszerelése	175
7	A kamera karbantartása és tisztítása	177
8	Szavatosság	177
9	Ártalmatlanítás	178
10	Műszaki adatok	178

## 1 Szimbólumok magyarázata



### FIGYELMEZTETÉS!

**Biztonsági megjegyzés** olyan veszélyes helyzetre vonatkozóan, amely halált vagy súlyos sérülést okozhat, ha nem kerülik el.



### FIGYELEM!

Felhívás olyan helyzetre, amely dologi kárt okozhat, ha nem kerülik el.



### MEJEGYZÉS

A termék kezelésére vonatkozó kiegészítő információk.

## 2 Biztonsági és beszerelési tudnivalók



### FIGYELMEZTETÉS!

Személyi sérülések jármű általi veszélye.

A tolatókamera-rendszerek a tolatásnál nyújtanak támogatást, ugyanakkor **nem adnak felmentést a tolatásnál tanúsítandó elővigyázatossági kötelezettség alól.**

### Vegye figyelembe a járműgyártó és a gépjárműszakma által előírt biztonsági megjegyzéseket és előírásokat!

Vegye figyelembe az alábbi megjegyzéseket:

- Rövidzárlat veszélye miatt a járműelektronikán végzendő munkák előtt mindig csatlakoztassa le a mínusz pólust.  
Pótakkumulátorokkal rendelkező járműveknél arról is csatlakoztassa le a mínusz pólust.
- A nem megfelelő vezetékcsatlakozások következményeképpen rövidzárlat miatt
  - kábeltüz keletkezhet,
  - a légszák kiold,
  - az elektronikus vezérlőberendezések megsérülnek,
  - az elektromos funkciók meghibásodnak (index, féklámpa, kürt, gyújtás, világitás).
- A következő vezetékeken végzendő munkáknál csak szigetelt kábelsarukat, csatlakozódugókat és lapos dugóhüvelyeket használjon:
  - 30 (közvetlen bemenet az akkumulátor pozitív pólusától),
  - 15 (kapcsolt pozitív vezeték, akkumulátor után),
  - 31 (visszamenő vezeték akkumulátortól, föld),
  - 58 (tolatólámpa).

**Ne** használjon sorkapcsokat.

- A kábelek csatlakoztatáshoz krimpelő fogót használjon.
- A csatlakozásoknál a kábelt csavarozza a 31-es vezetékhez (test)
  - kábelsaruvál és fogazott alátéttel egy a járművön lévő földelőcsavarhoz vagy
  - kábelsaruvál és lemezcsavarral a karosszérialemezhez.

Ügyeljen a jó földelésérintkezésre!

Az akkumulátor mínusz pólusának lecsatlakoztatása esetén a kényelmi elektronikai berendezések felejtő memóriájából az összes tárolt adat törlődik.

- A jármű felszereltségének függvényében a következő adatokat kell újból beállítani:
  - Rádiókód
  - Fedélzeti óra
  - Kapcsolóóra
  - Fedélzeti számítógép
  - Ülész helyzet

A beállításokra vonatkozó megjegyzések a vonatkozó üzemeltetési útmutatóban találhatóak.

A szerelés során vegye figyelembe a következő megjegyzéseket:

- A kamera járműben felszerelt alkatrészeit úgy rögzítse, hogy azok semmilyen körülmények között (éles fékezés, közlekedési baleset) ne szabadulhassanak el és ne okozhassák **a jármű utasainak sérülését**.
- A burkolat alatt takarásban lévő alkatrészeket úgy rögzítse, hogy ne szabadulhassanak el és ne sérthessenek meg más alkatrészeket és vezetékeket, illetve ne akadályozhassák a jármű működését (kormányzás, pedálok stb.).
- Fúrásnál a sérülések elkerülése érdekében ügyeljen a kielégítő szabad térre a fúró kilépési helyén.
- Sorjátlanítsa a furatot és kezelje le rozsdagátló szerrel.
- Mindig vegye figyelembe a járműgyártó biztonsági megjegyzéseit. Bizonyos (például gátlórendszereken - légszákon stb. - végzendő) munkákat csak képesített szakszemélyzet végezhet.

Elektromos alkatrészekon végzendő munkáknál vegye figyelembe a következő megjegyzéseket:

- Elektromos vezetékek feszültségének ellenőrzéséhez csak diódás ellenőrző lámpát vagy feszültségmérőt használjon. Világítótesttel rendelkező ellenőrző lámpák túl nagy áramot vesznek fel, ami a járműelektronikát károsíthatja.
- Elektromos csatlakozások kialakításánál ügyeljen arra, hogy azok
  - ne legyenek megtörve vagy megcsavarodva,
  - ne súrlódjanak peremeken,
  - ne legyenek védelem nélkül éles peremű átvezetésekön keresztülvezetve (**1**. ábra, 3. oldal).
- Szigetelje le az összes összekötést és csatlakozást.

- Biztosítsa a kábeleket mechanikus igénybevétel ellen kábelkötözővel vagy szigetelőszalaggal, például a meglévő vezetékeken.

A kamera vízálló. A kamera tömítései azonban magas nyomású tisztítóval szemben hatástalanok (2. ábra, 3. oldal). Ezért vegye figyelembe a kamera kezelésével kapcsolatos következő megjegyzéseket:

- Azok a személyek (beleértve a gyermekeket is), akik fizikai, érzékszervi vagy szellemi képességeik, illetve tapasztalatlanságuk vagy tudatlanságuk miatt a terméket nem tudják biztonságosan használni, ezt a terméket nem használhatják felelős személy felügyelete vagy utasítása nélkül.
- Ne nyissa ki a kamerát, mivel azzal csökkenti tömítettségét és működőképességét (3. ábra, 3. oldal).
- Ne húzza erővel a kábelt, mivel az csökkenti tömítettségét és működőképességét (4. ábra, 3. oldal).
- A kamera nem alkalmas víz alatti üzemeltetésre (5. ábra, 3. oldal).

### 3 Szállítási terjedelem

Szám 6. ábra, 4. oldal	Mennyiség	Megnevezés	Cikkszám
1	1	CAM35 kamera CAM35 REAR CAM35 REAR NAV CAM35 TWIN CAM35 TWIN NAV	9102000134 9102000133 9102000132 9102000131
2	1	Tömítés	–
3	1	CAM35 Y-adapter CAM	9600000552
4	1	CAM35 Y-adapter MON	9600000553
5	1	Rendszerkábel	9600000137
–	1	NAV-adapter (csak CAM35 REAR NAV vagy CAM35 TWIN NAV modelleknél)	9600000554
–	2	Rögzítőcsavarok, 6 x 25 mm	
–	–	Szerelési és kezelési útmutató	

## 4 Rendeltetésszerű használat

A CAM35 dupla kamera elsősorban egyszerű tetővel szerelt 2006-os, vagy ennél újabb Fiat Ducato, Citroën Jumper, Peugeot Boxer járművekben történő felhasználásra alkalmas. A kamera konzol a karosszéria és a féklámpa közé szerelhető fel. Felhasználható olyan kamerarendszerekben, amelyek a jármű körüli terület vezetőülésből történő megfigyelésére szolgálnak, például tolatásnál vagy parkolásnál.

Ez a termék az itt leírt utasításoknak megfelelő rendeltetésszerű használatra alkalmas.

Ez a kézikönyv olyan információkat nyújt, amelyek a termék szakszerű telepítéséhez és/vagy üzemeltetéséhez szükségesek. A hibás telepítés és/vagy a szakszerűtlen üzemeltetés vagy karbantartás elégtelen teljesítményhez és potenciálisan meghibásodáshoz vezethet.

A gyártó nem vállal felelősséget a termék olyan károsodásáért, vagy sérülésekért, amelyek a következőkre vezethetők vissza:

- Hibás összeszerelés vagy csatlakoztatás, ideértve a túlfeszültséget is
- Helytelen karbantartás, vagy a gyártó által szállított eredeti cserealkatrészekről eltérő cserealkatrészek használata
- A termék kifejezett gyártói engedély nélküli módosítása
- Az útmutatóban leírt céloktól eltérő felhasználás

A Dometic fenntartja a termék megjelenésének és specifikációjának módosítására vonatkozó jogát.

## 5 Műszaki leírás

A tolatókamera és a távolsági kamera (**csak** CAM35 TWIN) egyetlen konzollal szerelhetők fel az eredeti féklámpába. A rendszer a kameraképet egy rendszerkábelrel keresztül továbbítja a monitorhoz. A CAM35 az eredeti Fiat Uconnect navigációs rendszerhez is csatlakoztatható, mivel a kamerák NTSC videójelet küldenek.

A kamera többek között a következő elemekből áll:

Szám 8. ábra, 5. oldal	Megnevezés
1	Tolatókamera
2	Távolsági kamera ( <b>csak</b> CAM35 TWIN)
3	6-pólusú csatlakozókábel távolsági kamerához ( <b>csak</b> CAM35 TWIN)
4	6-pólusú csatlakozókábel tolatókamerához

### Csak a CAM35 TWIN modellhez

A CAM35 TWIN modell esetében olyan két videobemenettel rendelkező monitort kell csatlakoztatni, melynek képe átkapcsolható a távolsági és a tolatókamera között.

A távolsági kamera a képet úgy továbbítja, mintha a kép a visszapillantó tükörben jelenne meg.

### Csak a CAM35 NAV esetében

A CAM35 REAR NAV és a CAM35 TWIN NAV kamerák más gyártók kameráihoz is csatlakoztathatók. A termékhez egy univerzális adapter található mellékelve (CAM35 NAV-adapter).

## 6 A kamera felszerelése

### 6.1 A féklámpa leszerelése

1. Oldja ki a féklámpa két csavarját (**9**. ábra, 5. oldal).
2. Húzza ki a féklámpa dugaszát (**10**. ábra, 6. oldal).

### 6.2 Kábelek elhelyezése



#### **FIGYELEM! Sérülésveszély!**

- Lyukak fúrása előtt ellenőrizze, hogy elegendő szabad hely van-e a fúrónak az átjutáshoz.
- A szakszerűtlen kábelehelyezések és kábel-összeköttetések újra és újra hibás működést eredményeznek vagy alkatrészek sérülését okozzák. Az utólagosan felszerelt komponensek tartós és hibátlan működésének feltétele a szakszerűen kialakított kábelehelyezés és kábel-összeköttetés.
- A kábeleknek nem szabad hosszabb ideig oldószerekkel (például benzinnel) érintkezniük, mivel az oldószerek a kábeleket károsíthatják.

Ezért vegye figyelembe a következő megjegyzéseket:

- A csatlakozókábelek átvezetésénél lehetőség szerint eredeti átvezetéseket vagy más átvezetési lehetőségeket használjon (például burkolóeleket, szellőzőrácsokat vagy vakkapcsolókat). Ha nincsenek átvezetések, akkor az adott kábelekhez megfelelő lyukakat kell fúrnia. Először annak nézzen utána, hogy a fúró átjutásához elegendő szabad tér áll-e rendelkezésre.
- A kábeleket lehetőség szerint mindig a jármű belsejében vezesse, mivel ott azok jobban védve vannak mint a járművön kívül. Ha a kábeleket ennek ellenére a járművön kívül helyezi el, akkor ügyeljen azok biztos rögzítésére (kiegészítő kábelkötözőkkel, szigetelőszalaggal stb.).
- A kábel sérüléseit megelőzendő a kábelek elhelyezésénél mindig tartson kielégítő távolságot a forró és mozgó jármű-alkatrészekről (kipufogócsövek, hajtótengelyek, áramgenerátor, ventilátor, fűtés stb.). A mechanikus védelemhez használjon bordáscsövet vagy hasonló védőanyagot.
- A csatlakozókábelek csatlakozódugóit a víz behatolása elleni védelem érdekében csavarozza össze (**14**. ábra, 7. oldal).

- A kábelek elhelyezésekor ügyeljen arra, hogy azok
    - ne legyenek túlságosan megtörve vagy megcsavarodva,
    - ne súrlódjanak peremeken,
    - ne legyenek védelem nélkül éles peremű átvezetéseken keresztülvezetve.
  - A kábeleket a járműben a beleakadás elkerülése érdekében (botlásveszély miatt) biztonságosan rögzítse. Ez kábelkötözők vagy szigetelőszalag alkalmazásával, illetve ragasztóanyaggal való odaragasztással történhet.
- Fektesse le a rendszerkábelt.

### 6.3 A kamera elektromos csatlakoztatása



#### MEGJEGYZÉS

- A kamera kábelét úgy helyezze el, hogy a kamera esetleges szükségessé váló kiszérése esetén könnyedén hozzáférhessen a kamera és a hosszabbítókábel közötti dugócsatlakozóhoz. Ez a leszerelést jelentősen leegyszerűsíti.
- A csatlakozódugó korróziójának minimalizálása érdekében tegyen valamennyi zsírt (például póluszsírt) a csatlakozódugók egyikébe.

1. Vezesse át a féklámpa dugaszát a konzolon.
2. A féklámpa dugaszát (11. ábra 1, 6. oldal) ismét illeszze be a féklámpába.
3. A(z) 12. ábra, 7. oldal - 14. ábra, 7. oldal ábrákon bemutatott módon csatlakoztassa a kamerát.

Képaláírás ehhez: 12. ábra, 7. oldal és 13. ábra, 7. oldal:

Szám	Megnevezés
1	6-pólusú csatlakozókábel tolatókamerához
2	Y-adapter, kamera
3	Monitor
4	Y-adapter, monitor
5	Rendszerkábel
6	6-pólusú csatlakozókábel távolsági kamerához ( <b>csak</b> CAM35 TWIN)
7	NAV-adapter ( <b>csak</b> CAM35 NAV)
ws	fehér, videojel 1
ge	sárga, videojel 2



Szám	Megnevezés
sw	fekete
rt	piros

## 6.4 A kamera felszerelése



### FIGYELEM!

Ügyeljen arra, hogy a konzol alsó oldalán a kamera kábelét vezesse el a kivágásokig, így nem csípődik be a kábel.

Ehhez a következő módon járjon el (15. ábra, 8. oldal):

- ▶ A két 6 x 25 mm rögzítőcsavarral rögzítse a féklámpát és a konzolt.

## 7 A kamera karbantartása és tisztítása



### FIGYELEM! Sérülésveszély!

Ne használjon éles vagy kemény eszközöket a tisztításhoz, mivel azok a készülék sérülését okozhatják.

- ▶ Alkalmanként tisztítsa meg a kamerát puha, nedves ruhával.

## 8 Szavatosság

A termékre a törvény szerinti szavatossági időszak érvényes. A termék meghibásodása esetén forduljon a gyártói lerakathoz (lásd [dometic.com/dealer](http://dometic.com/dealer)), illetve az illetékes szakkereskedőhöz.

A javításhoz, illetve a szavatossági adminisztrációhoz a következő dokumentumokat kell beküldenie:

- hibás részegységek,
- a számla vásárlási dátummal rendelkező másolatát,
- a reklamáció okát vagy a hibát tartalmazó leírást.

## 9 Ártalmatlanítás

- ▶ A csomagolóanyagot lehetőleg a megfelelő újrahasznosítható hulladék közé tegye.



Ha a terméket véglegesen kivonja a forgalomból, kérjük, tájékozódjon a legközelebbi hulladékártalmatlanító központnál vagy a szakkereskedőjénél az idevonatkozó ártalmatlanítási előírásokkal kapcsolatosan.

## 10 Műszaki adatok

	<b>PerfectView CAM 35 REAR</b>	<b>PerfectView CAM 35 REAR NAV</b>
Cikkszám:	9102000134	9102000133
Képzékelő:	1/4" CMOS	
Képpontok:	kb. 345000 pixel	
Videoszabvány:	NTSC	
Érzékenység:	1,5 Lux	
Látószög:	kb. 150°/60° átlósan	
Üzemi feszültség:	10 V <sub>DC</sub> – 16 V <sub>DC</sub>	
Fogyasztás:	1 W	
Üzemi hőmérséklet:	–30 °C és +70 °C között	
Védettség:	IP69k	
Rezgésállóság:	10g	
Méreték (sz x m x h) (tartóval):	80 x 30 x 33 mm	
Súly:	kb. 0,25 kg	

	<b>PerfectView CAM 35 TWIN</b>	<b>PerfectView CAM 35 TWIN NAV</b>
Cikkszám:	9102000132	9102000131
Képezékelő:	1/4" CMOS	
Képpontok:	kb. 345000 pixel	
Videoszabvány:	NTSC	
Érzékenység:	1,5 Lux	
Látószög:	kb. 150°/60° átlósan	
Üzemi feszültség:	10 V $\overline{=}$ – 16 V $\overline{=}$	
Fogyasztás:	1 W	
Üzemi hőmérséklet:	–30 °C és +70 °C között	
Védettség:	IP69k	
Rezgésállóság:	10g	
Méreték (sz x m x h) (tartóval):	80 x 30 x 33 mm	
Súly:	kb. 0,25 kg	

Mobile living made easy.

---



**dometic.com**

---

**YOUR LOCAL  
DEALER**

**[dometic.com/dealer](https://dometic.com/dealer)**

**YOUR LOCAL  
SUPPORT**

**[dometic.com/contact](https://dometic.com/contact)**

**YOUR LOCAL  
SALES OFFICE**

**[dometic.com/sales-offices](https://dometic.com/sales-offices)**

---

A complete list of Dometic companies, which comprise the Dometic Group, can be found in the public filings of:  
**DOMETIC GROUP AB** Hemvärnsgatan 15 SE-17154 Solna Sweden